



PREVENT. PROMOTE. PROTECT.

250 William Howard Taft Road
Cincinnati, OH 45219
Phone: 513.946.7800 Fax: 513.946.7890
hcph.org

February 23, 2021

Dear Property Owner,

Hamilton County Public Health (HCPH) previously pre-approved you at 85% grant funding through the Water Pollution Control Loan Fund (WPCLF) to help in the sewage treatment system (STS) replacement project at your primary residence. The WPCLF requires at least three quotes be submitted to Hamilton County Public Health for each eligible project. HCPH previously reviewed and approved the STS replacement plan for your property. Attached you will find a copy of the approved plan which you will need to use in order to solicit quotes on behalf of HCPH.

Using the attached forms, sample contract, approved STS design plan for your property and the guidance provided in this letter, you will need to contact registered STS installers individually for quotes. Attached is a list of registered STS installers you may contact. Any contractors interested in your project must be given a copy of this letter with all attachments. Interested contractors will need to provide a quote for the total cost for all work needed to install the approved STS using the form provided. This will include all items specified on the approved STS design plan, any needed connection of plumbing into the building sewer, disconnection and re-routing of any clear water from the plumbing system or STS, any needed electrical service upgrade if required to accommodate the replacement STS components, any other eligible and justified items, finished grading, seed and straw, and proper abandonment of the existing STS components.

To keep the process moving forward at least three quotes must be obtained by you on behalf of HCPH. All quotes must be collected by you and submitted at one time to HCPH by 04/30/2021. Keep in mind that returning all quotes sooner will be better to help your chances of receiving the WPCLF funding. Quotes will be reviewed by a team of individuals at HCPH. The contract will be awarded to the qualified applicant based on the lowest and best bid and will be dependent upon bidder's availability to complete the requested work in a timely fashion. Awarded contracts are strictly between HCPH and the selected contractor. Any attempt to enter into separate contract, addendum, modification, invoice or other contractual agreement, except for the property owner's matching percentage to be paid directly by the owner to the contractor, without prior approval by HCPH may disqualify the bidder.

If selected to complete the STS installation, the contractor will be contacted directly by HCPH. At that time, they will be required to sign a site specific version of the attached contract and submit all required contract paperwork to HCPH. Once verified, a Notice-to-Proceed will be issued to the contractor by HCPH allowing the selected contractor to begin the installation. All work required must be completed (including final inspection) by December 15, 2021 and following receipt of the Notice-to-Proceed.

It should be noted that any unexpected changes and/or alterations needed during the performance of work, requires a Contract Change Order (see Contract - Attachment B). Payment for any changed or extra services will not occur without pre-approval using this method. Also note that the contract has special insurance and bid bonding/financial guarantee requirements that must be followed.



Healthy choices. Healthy lives. Healthy communities.



PREVENT. PROMOTE. PROTECT.

For the WPCLF portion of the payment to occur, HCPH must approve the final STS installation. After which, the contractor must submit to HCPH an invoice, by December 17, 2021, to document the incurred costs for the repair/replacement along with an approval certificate issued by HCPH. Upon verification of this information, HCPH will send a request to Ohio EPA for reimbursement of the eligible system repair/replacement costs. After confirmation by Ohio EPA, the Ohio Water Development Authority will distribute the funding to HCPH, who will then pay the contractor the approved amount. Any portion of the approved bid amount not covered by the WPCLF must be paid directly by the property owner to the contractor.

At this time, if you would like to remain eligible for the WPCLF, you must solicit quotes, on behalf of HCPH, for your STS replacement project. When submitting each quote to you, the contractor must include a completed, signed and dated copy of the following attachments:

- i Hamilton County Bid Proposal Form
- i Contractor Equal Employment Opportunity (EEO) Certification Form
- i Certification Regarding Debarment, Suspension, and Other Responsibility Matters Form
- i American Iron and Steel (AIS) Form

At least three quotes must be collected by you, then be submitted together to HCPH with the items listed above, on or before April 30, 2021 to:

Hamilton County Public Health
Attn: Chris Griffith
250 William Howard Taft
Cincinnati, OH 45219

If you have any questions concerning this program, please feel free to contact me directly at 946-7866.

Sincerely,

A handwritten signature in black ink, appearing to read "CMG RS".

Christopher M. Griffith, RS
Director of Water Quality

Hamilton County Bid Proposal Form

Contractor Name: _____

Contractor Address: _____

Contractor Phone(s): _____

Project Address: _____

Bid Due Date: _____

Total Amount of Bid: _____

Total Amount in Written Words: _____

Signature, Printed Name, Contractor

Date

I will begin the work within upon receipt of the written Design Contract and Notice to Proceed Order, and will complete the work within 45 days, unless otherwise agreed to by Hamilton County Public Health.

The above total price includes all materials, labor and other costs such as overhead, permits, sales tax and profit. This bid is valid for a period of 30 days after the date this proposal is received by Hamilton County Public Health.

Mail Bid Packet to: Hamilton County Public Health

Attn: Chris Griffith
250 William Howard Taft
Cincinnati, OH 45219

Contractor Equal Employment Opportunity Certification

During the performance of this contract, the undersigned agrees as follows:

1. The undersigned will not discriminate against any employee or applicant for employment because of race, color, religion, sex, or national origin. The undersigned will take affirmative action to ensure that applicants are employed, and that employees are treated during employment without regard to their race, color, religion or national origin. Such action shall include, but not be limited to the following: Employment, upgrading, demotion, or transfer; recruitment or recruitment advertising; layoff or termination; rates of pay or other forms of compensation; and selection for training, including apprenticeship. The undersigned agrees to post in conspicuous places, available to employees and applicants for employment, notices to be provided setting forth the provisions of this equal opportunity (federally assisted construction) clause.
2. The undersigned will, in all solicitations or advertisements for employees placed by or on behalf of the undersigned, state that all qualified applicants will receive consideration for employment without regard to race, color, religion, sex or national origin.
3. The undersigned will send to each labor union or representative of workers, with which he has a collective bargaining agreement or other contract or understanding, a notice to be provided advising the said labor union or workers' representative of the undersigned's commitment under this section, and shall post copies of the notice in conspicuous places available to employees and applicants for employment.
4. The undersigned will comply with all provisions of Executive Order No. 11246 of September 24, 1965, and of the rules, regulations, and relevant orders of the Secretary of Labor.
5. The undersigned will furnish all information and reports required by Executive Order No. 11246 of September 24, 1965, and by the rules, regulations, and relevant orders of the Secretary of Labor, or pursuant thereto, and will permit access to his books, records and accounts by the administering agency of the Secretary of Labor for purposes of investigation to ascertain compliance with such rules, regulations, and orders.
6. In the event of the undersigned's non compliance with the equal opportunity (federally assisted construction) clause of this contract or with any of the said rules, regulations, or orders, this contract may be canceled, terminated or suspended in whole or in part, and the undersigned may be declared ineligible for further Government contracts or federally assisted construction contracts in accordance with procedures authorized in Executive Order No. 11246 of September 24, 1965, and such other sanctions may be imposed and remedies invoked as provided in Executive Order No 11246 of September 24, 1965, or by rules, regulations, or order of the Secretary of Labor, or as provided by law.
7. The undersigned will include this equal opportunity (federally assisted construction) clause in every subcontract or purchase order unless exempted by the rules, regulations, or orders of the Secretary of Labor issued pursuant to section 204 of Executive Order No 11246 of September 24, 1965, so that such provision will be binding upon each subcontract or vendor. The undersigned will take such action with respect to any subcontract or purchase order as the administering agency may direct as a means of enforcing such provisions, including sanctions for non-compliance: Provided, however, that in the event a contractor becomes involved in, or is threatened with, litigation with a subcontractor or vendor, as a result of such direction by the administering agency the undersigned may request the United States to enter into such litigation to protect the interest of the United States.

(Signature)

(Date)

(Name and Title of Signer, Please type)

(Firm Name)

Certification Regarding Debarment, Suspension, and Other Responsibility Matters

The prospective participant certifies to the best of its knowledge and belief that it and its principals:

- (a) Are not presently debarred, suspended, proposed for debarment, declared ineligible, or voluntarily excluded from covered transactions by any Federal department or agency;
- (b) Have not within a three year period preceding this proposal been convicted of or had a civil judgement rendered against them for commission of fraud or a criminal offense in connection with obtaining, attempting to obtain, or performing a public (Federal, State, or local) transaction or contract under a public transaction; violation of Federal or State antitrust statutes or commission of embezzlement, theft, forgery, bribery, falsification or destruction of records, making false statements, or receiving stolen property;
- (c) Are not presently indicted for or otherwise criminally or civilly charged by a government entity (Federal, State or local) with commission of any of the offenses enumerated in paragraph (b) of this certification;
- (d) Have not within a three year period preceding this application / proposal had one or more public transactions (Federal, State, or local) terminated for cause or default; and
- (e) Will not utilize a subcontractor or supplier who is unable to certify (a) through (d) above.

I understand that a false statement on this certification may be grounds for rejection of this proposal or termination of the award. In addition, under 18 USC Sec. 1001, a false statement may result in a fine of up to \$10,000 or imprisonment for up to 5 years, or both.

Type Name & Title of Authorized Representative

Signature of Authorized Representative

Date

I am unable to certify to the above statements. My explanation is attached.

Certification Regarding Debarment, Suspension, and Other Responsibility Matters
INSTRUCTIONS

Under Executive Order 12549 an individual or organization debarred or excluded from participation in Federal assistance or benefit programs may not receive any assistance award under a Federal program or a subagreement thereunder for \$25,000 or more.

Accordingly, each prospective recipient of an EPA grant, loan, or cooperative agreement and any contract or subagreement participant thereunder must complete the attached certification provide an explanation why they cannot. For further details, see 40 CFR 32.510, Participants' responsibilities, in the attached regulation.

Go to <https://www.sam.gov/portal/SAM/##11> to access the Excluded Parties List System (EPLS). The EPLS includes information regarding entities debarred, suspended, proposed for debarment, excluded or disqualified under the nonprocurement common rule, or otherwise declared ineligible from receiving Federal contracts, certain subcontracts, and certain Federal assistance and benefits. This information may include names, addresses, DUNS numbers, Social Security Numbers, Employer Identification Numbers or other Taxpayer Identification Numbers, if available and deemed appropriate and permissible to publish by the agency taking the action.

Where To Submit

The prospective EPA grant, loan, or cooperative agreement recipient must return the signed certification or explanation with its application to the appropriate EPA Headquarters, Regional office, or Ohio EPA, as required in the applications.

A prospective prime contractor must submit a complete certification or explanation to the individual or organization awarding the contract.

Each prospective subcontractor must submit a complete certification or explanation to the prime contractor for the project.

Applicants may reproduce these materials as needed and provide them to their prospective prime contractor, who, in turn, may reproduce and provide them to prospective subcontractors.

Additional copies / assistance may be requested from:

Ohio EPA
Division of Environmental and Financial Assistance
P.O. Box 1049
Columbus, Ohio
43216 1049 (614)
644 2798

<http://epa.ohio.gov/defa/EnvironmentalandFinancialAssistance.aspx>

American Iron and Steel Acknowledgement

The Contractor acknowledges to and for the benefit of _____ (“Purchaser”) and the State of Ohio (the “State”) that it understands the goods and services under this Agreement are being funded with monies made available by the Clean Water State Revolving Fund and/or Drinking Water State Revolving Fund that have statutory requirements commonly known as “American Iron and Steel;” that requires all of the iron and steel products used in the project to be produced in the United States (“American Iron and Steel Requirement”) including iron and steel products provided by the Contractor pursuant to this Agreement. The Contractor hereby represents and warrants to and for the benefit of the Purchaser and the State that (a) the Contractor has reviewed and understands the American Iron and Steel Requirement, (b) all of the iron and steel products used in the project will be and/or have been produced in the United States in a manner that complies with the American Iron and Steel Requirement, unless a waiver of the requirement is approved, and (c) the Contractor will provide any further verified information, certification or assurance of compliance with this paragraph, or information necessary to support a waiver of the American Iron and Steel Requirement, as may be requested by the Purchaser or the State. Notwithstanding any other provision of this Agreement, any failure to comply with this paragraph by the Contractor shall permit the Purchaser or State to recover as damages against the Contractor any loss, expense, or cost (including without limitation attorney’s fees) incurred by the Purchaser or State resulting from any such failure (including without limitation any impairment or loss of funding, whether in whole or in part, from the State or any damages owed to the State by the Purchaser). While the Contractor has no direct contractual privity with the State, as a lender to the Purchaser for the funding of its project, the Purchaser and the Contractor agree that the State is a third-party beneficiary and neither this paragraph (nor any other provision of this Agreement necessary to give this paragraph force or effect) shall be amended or waived without the prior written consent of the State.

Signature _____ Date _____

Name and Title of Authorized Signatory, Please Print or Type _____

Bidder’s Firm _____

Check here if the WPCLF or WSRLA applicant will be requesting an individual waiver for non-American made iron and steel products. Please note that the waiver box does not need to be marked for nationwide waivers.

CONSTRUCTION CONTRACT
HAMILTON COUNTY PUBLIC HEALTH
With Herrmann Services
For the Property at xxxxx Road
Dated xx xx, 2021

PROJECT: HOUSEHOLD SEWAGE TREATMENT SYSTEM REPAIR/REPLACEMENT PROJECT

This CONTRACT, made and entered into at HAMILTON COUNTY, Ohio, on xxxx xx, 2021 by the HAMILTON COUNTY PUBLIC HEALTH, hereinafter referred to as "HCPH"); and xxxxxxxx (hereinafter referred to as "CONTRACTOR").

WITNESSETH, the HCPH and the CONTRACTOR hereby agree as follows:

1. CONTRACT DOCUMENTS

The Contract consists of this document, the Contractor's Bond, the Contractor's Bid, the Design Drawings, the Design Specifications, all Addenda issued prior to execution of this Contract, the Notice To Proceed (Attachment A), all Change Orders (Attachment B) issued subsequent thereto and Federal, State, and/or Local Regulations; and when specified: Labor and Material Bond, Affirmative Action and Equal Opportunity Requirements, Contractor Equal Employment Opportunity Certification Form (Attachment C), Certification Regarding Debarment, Suspension and Other Responsibility Matters Form (Attachment D), and American Iron and Steel Acknowledgement Form (Attachment E).

2. CONTRACT REGULATIONS

Terms and conditions of this Contract shall be governed by the provisions of Chapters 153 and 4115 and Section 149.53 of the Ohio Revised Code, and all applicable local, State and Federal Ordinances, Statutes and Regulations.

The CONTRACTOR agrees not to discriminate against any employee or applicant for employment because of race, creed, sex, handicap, or color, including, but not limited to the following: employment, upgrading, demotion or transfer, recruitment or recruitment advertising, layoff or termination, rates of pay or other forms of compensation and selection for training, including apprenticeship. All records, manuals, forms, drawings, schedules, lists, surveys, specifications, designs, and other data pertaining to the work specified in this contract are and shall remain the sole property of the HCPH. The use of any Subcontractor must be reported to the HCPH and they shall be bound by the same requirements as the CONTRACTOR.

3. BONDING

A bond or other form of financial guarantee shall be submitted by the CONTRACTOR in accordance with Sections 153.54/307.89 of the Ohio Revised Code and Section 3.4 of the Water Pollution Control Loan Agreement for the full amount of the Contractor's Bid.

4. THE WORK

The CONTRACTOR shall perform and complete all work of the Project required by the Contract Documents for xxxxxx Road, supplying all the labor, materials, supervision, tools and equipment necessary and required for the proper abandonment of the existing sewage treatment system (tanks and drywells, if present) and replacement of the sewage treatment system in accordance with the Installation Permit, Design, Project and Contract Documents; shall proceed in a prompt and diligent manner, and shall do the several parts thereof at such times and in such order as the HCPH may direct, and shall execute, construct, finish, and test when required, the Project in an expeditious, substantial and workmanlike manner to the satisfaction of HCPH, and to the final acceptance of the Project by HCPH.

5. TIME OF COMMENCEMENT AND COMPLETION

The CONTRACTOR shall commence work upon receipt of the written Notice To Proceed (Attachment A) issued by HCPH. The CONTRACTOR shall complete the Project work by December 15, 2021 and following the Notice To Proceed.

6. RIGHTS OF ACCESS

The signatories agree to ensure that the Director or its duly authorized agents shall have the right at all reasonable times to enter upon the Project Site(s) and Project Facilities, and to examine and inspect the same and to exercise the Director's rights pursuant to the WPCLF Assistance Agreement.

7. CONTRACT CONFLICTS

In the event of a conflict between the contract and the WPCLF Assistance Agreement, the provisions of the WPCLF Agreement shall prevail.

8. CONTRACT SUM

Hamilton County Public Health, utilizing OHIO EPA funding, shall pay the CONTRACTOR for the performance of the Work, up to the sum of \$xx,xxxx.xx (xx% of eligible costs paid by HCPH with \$x,xxx.xx - xx%

covered by the property owner) subject to additions and deductions by Change Orders (Attachment B) properly approved and executed. All properly approved and executed Change Orders for increases will be paid by HCPH, utilizing OHIO EPA funding, and/or homeowner contribution. Neither HCPH nor OHIO EPA will be responsible for additional reinspection fees.

9. PAYMENTS

Based upon Applications for Payment submitted to the HCPH by the CONTRACTOR, and after installation approval by HCPH, the contractor shall submit an invoice that documents costs all incurred to HCPH. The invoice shall detail the services rendered, including charge rates, number of hours, materials or supplies consumed, and other information needed to support the invoice to HCPH. Upon verification of this information, HCPH will send a request to Ohio EPA for reimbursement of the eligible costs. After confirmation by Ohio EPA, the Ohio Water Development Authority will distribute the funding to HCPH, who will then pay the Contract Sum to the CONTRACTOR as provided in Chapter 153 of the Ohio Revised Code and after payment is received from the Ohio EPA.

10. NEGLECT, DEFAULT, DELAY, ETC.

Hamilton County Public Health or Hamilton County Board of Health shall not be liable to the CONTRACTOR for any neglect, default, delay, or interference of or by another contractor, nor shall any such neglect, default, delay, or interference of or by another contractor, or alteration which may be required in said Work within the time aforesaid, or from the damage to be paid in default thereof. The CONTRACTOR shall pay HCPH \$200.00 for each and every calendar day of completion the Project is delayed beyond the date fixed for completion in Section 3 herein.

11. INSURANCE

The Insurance Specifications for Contractors and their subcontractors are as follows:

- A. All insurance required herein shall be issued by companies licensed to do business in Ohio, and which are rated not less than A: VII by A. M. Best.
- B. Commercial General Liability insurance with commercial general liability form GC 00 01 or its equivalent, with limits of at least \$1,000,000 per occurrence and \$1,000,000 in the aggregate covering death, bodily injury, and property damage. Coverage must include premise and

operations, contractual liability, third party property damage, severability of interest, completed operations coverage, maintained for at least three years beyond the date of the contractor's completion of the work, waiver of subrogation, and waiver of "cross claim exclusion between insured's".

- C. Business auto liability insurance of at least \$1,000,000 combined single limit, on all owned and non-owned leased and hired automobiles.
- D. Umbrella and excess liability policies of at least \$1,000,000, per occurrence and in the aggregate, above the underlying General Liability and business auto policies. Coverage must include drop down features, concurrency of effective dates; aggregates in the primary apply in the Umbrella, waiver of subrogation.
- E. The Commercial General Liability and business auto policies must endorse the Board of Health of Hamilton County, Ohio, their employees, officials, agents and volunteers as additional insureds. Further these policies must waive subrogation claims against the aforesaid individuals.
- F. Owner shall require its contractors and subcontractors to provide Workers' Compensation Insurance coverage at the statutory limits required by the Ohio Revised Code. The Contractor shall provide Workers Compensation Insurance for all employees engaged in Work who may come within the protection of the workers compensation law, and, where applicable, employer's General Liability Insurances for employees not so protected and shall require all Subcontractors to provide corresponding insurance. The Contractor shall indemnify the Owner, Hamilton County Board of Health, their employees, officials, agents and volunteers and the Consulting Engineer against any and all liabilities, cost and expenses due to accidents or other occurrences covered by the workers compensation law.
- G. Each policy required herein may not be canceled or materially changed except upon thirty days prior written notice given to: Hamilton County Public Health, 250 William Howard Taft, Cincinnati, Ohio 45219.

- H. Maintenance of the insurance required hereunder is a material element of this Agreement. Material changes of the required coverage or cancellation of the coverage in violation of subsection G, above, is a material breach of this Agreement.
- I. Builders Risk: In addition to such fire and other physical damage insurances as the Contractors elects to carry for his own protection, he shall also secure and maintain in the name of the Owner, the government agency sponsoring the Project, Subcontractors, the Consulting Engineer and any other parties having an interest in the Project, as named insured as their interest may appear; a builders' risk policy for fire, extended coverage, vandalism and malicious mischief in the amount of one hundred (100) percent of the value of the complete parts of the Project and Materials in storage, except that such coverage shall not be required in connection with sewer, water main or paving construction. Pump or lift station construction shall not be considered sewer or water main construction for purposes of this paragraph.
- J. Contractor's Public Liability and Property Damage Liability Insurance:
Contractor's Public Liability Insurance providing a limit of not less than \$500,000 for all damages arising out of bodily injuries, including accidental death to one person, and a total limit of 1,000,000 for all damages arising out of bodily injuries, including accidental death, to two or more persons in any one occurrence. Contractor's Property Damage Liability Insurance providing for a limit on not less than \$500,000 for all damages to or destruction of property.
Coverage under this policy shall include, to the limits indicated above, the collapse or damage to any structure, building or its contents, public or private utility, or pavement during construction and for two (2) years thereafter.
Whenever Work under the Contract is to be done in the vicinity of existing underground utilities or structures, coverage under the policy shall also include, to the limits indicated, all damages to said underground utilities or structures during construction and for a period of two (2) years thereafter. Whenever Work under the Contract is to be done by blasting, coverage under the policy shall also include, to the limits indicated above, all damages of any kind whatsoever caused by blasting.

K. Contractor's Protective Public Liability and Property Damage Liability

Insurance: Contractor's Protective Public Liability and Property Damage Liability Insurance for operations performed by Subcontractors providing for coverage and limits corresponding to those described in subparagraph J.

L. Owner's (HCPH) Protective Public Liability and Property Damage Liability

Insurance: Regular Owner's Protective Public Liability and Property Damage Liability Insurance for operations performed by the Contractor or any Sub-contractor providing for coverage and limits corresponding to those specified elsewhere herein.

M. Railroad Protective Liability Insurance: In any of the Work under this Contract is on railroad R/W, the Contractor shall at its sole cost and expense, procure and provide, for and in behalf of each railroad company. Protective Liability Insurance (AARAASHO form) with minimum limits per occurrence of not less than \$2,000,000 for bodily injury, death and/or property damage, subject to an aggregate limit of \$6,000,000 per annum. The policy shall name each railroad company as the insured and be issued to the Contractor. Each railroad company shall be provided with a copy of each policy of insurance prior to commencement of any work.

Certificates of Insurance

The Contractor shall file a Certificate of Insurance for all coverage required in these Insurance Specifications on the ACORD 25 Form (preferred), and a copy of his current Worker's Compensation Certificate, with the Hamilton County Public Health before starting work on the project, and shall keep such Certificates current and on file with the County for the life of this Contract.

Indemnification Clause

The Contractor agrees to indemnify and save The Board of County Commissioners, Hamilton County Ohio, Hamilton County Board of Health, HCPH, their officials, officers, agents, and employees harmless from any and all losses, claims, actions, costs, expenses, judgments, subrogation's, or other damages resulting from injury to any person (including injury resulting in death), or damage (including loss or destruction) to property of whatsoever nature of any person, firm, or corporation arising out of the errors, omissions or negligent acts of the Contractor in the performance of the terms of this Contract by the Contractor, including but not limited to the Contractor's

employees, agents, subcontractors, sub-subcontractors, and others designated by the Contractor to perform work or services in, about, or attendant to, the work and services under the terms of this contract.

Notice To Proceed

The Contractor shall not commence work under this contract until he has obtained all the insurance required herein, has submitted appropriate Certificates of Insurance to and received approval of the County as evidenced by a Notice to Proceed (Attachment A).

Subcontractors

The Insurance Specifications apply equally to all subcontractors and sub-subcontractors at any tier during the period of their work on the project. The Prime Contractor shall be solely responsible for his subcontractor's liability if he permits the Sub to work on the project without the Sub having been issued a Notice to Proceed by the County.

12. FAILURE TO COMPLY

If the CONTRACTOR shall fail to comply with any of the terms, conditions, provisions or stipulations of this Contract, HCPH may avail itself of any and all remedies provided in their behalf in the Contract, and shall have the right and power to proceed in accordance with the provisions thereof.

13. RESOLUTION OF DISPUTES

In the event of a dispute covering additional costs, claims and any other matter arising out of or relating to this Contract, or the breach thereof, such disputes shall be decided by submission to a court of competent jurisdiction within one (1) year of the date upon which HCPH accepts and approves the project for use. The CONTRACTOR hereby waives any right to rely upon the statute of limitations for actions on contracts.

Failure to bring an action within one year of the above date shall constitute a bar to such action. If, however, within ten (10) days of the specific event giving rise to the disputed matter, the CONTRACTOR gives HCPH, by written notice, a request to submit the matter to arbitration, HCPH and the CONTRACTOR may agree, within sixty (60) Days of receipt of the above notice, to submit the matter to arbitration as set forth below.

If the parties agree, by written change order signed by HCPH, the Ohio EPA, and the CONTRACTOR, to submit such dispute to arbitration, all proceedings shall be according to Ohio

Revised Code Chapter 2711, and, unless waived, the Ohio Rules of Civil Procedure and the Ohio Rules of Evidence. HCPH and the CONTRACTOR shall each choose one arbitrator. The two arbitrators shall agree upon and choose a third arbitrator, who shall preside over the proceedings.

Compensation of the arbitrators shall be as agreed upon by HCPH, the CONTRACTOR and the arbitrators. Payment for the arbitrators shall be shared equally by HCPH and the CONTRACTOR. The CONTRACTOR shall deposit, as a precondition to commencement of the hearing, its equal share of the compensation of the arbitrators with HCPH to be placed in an account for that purpose, or with an escrow agent suitable to both parties. The hearing or the arbitration shall commence within sixty (60) days of the agreement to arbitrate. If the hearing is not commenced within sixty (60) days of the agreement to arbitrate, said agreement shall be void and the dispute shall be resolved by submission to a court of competent jurisdiction as herein before specified. The award rendered by the arbitrators shall be final, and judgment may be entered upon it in any court having jurisdiction thereof. All questions with regard to the rights and authority of the arbitration panel shall be resolved pursuant to Chapter 2711, of the Ohio Revised Code.

14. IN FORCE AND EFFECT

Subject to the applicable provisions of law, this contract shall be in full force and effect from and after the date when a fully executed and approved counterpart hereof is forwarded to the CONTRACTOR, but the CONTRACTOR shall not start work on the Project until written notification to proceed is received from HCPH.

15. Executive Order 11246 Sec.202

Except in contracts exempted in accordance with Section 204 of this Order, all Government contracting agencies shall include in every Government contract hereafter entered into the following provisions:

During the performance of this contract, the contractor agrees as follows:

- A. The contractor will not discriminate against any employee or applicant for employment because of race, color, religion, sex, or national origin. The contractor will take affirmative action to ensure that applicants are employed and that employees are treated during employment, without regard to their race, color, religion, sex, or national origin. Such action shall include, but not be limited to the following: employment, upgrading, demotion, or transfer, recruitment, or recruitment advertising, layoff or termination; rates of pay or other forms of compensation; and

selection for training, including apprenticeship. The contractor agrees to post in conspicuous places, available to employees and applicants for employment, notices to be provided by the contracting officer setting forth the provisions of the nondiscrimination clause.

- B. The contractor will, in all solicitations or advertisements for employees placed by or on behalf of the contractor, state that all qualified applicants will receive consideration for employment without regard to race, color, religion, sex, or national origin.
- C. The contractor will send to each labor union or representative of workers with which he has a collective bargaining agreement or other contract or understanding, a notice, to be provided by the agency contracting officer, advising the labor union or workers' representative of the contractor's commitments under Section 202 of Executive Order No. 11246 of September 24, 1965, and shall post copies of this notice in conspicuous places available to employees and applicants for employment.
- D. The contractor will comply with all provisions of Executive Order No. 11246 of September 24, 1965, and of the rules, regulations, and relevant orders of the Secretary of Labor.
- E. The contractor will furnish all information and reports required by Executive Order No. 11246 of September 24, 1965, and by the rules, regulations, and orders of the Secretary of Labor, or pursuant thereto, and will permit access to his books, records, and accounts by the contracting agency and the Secretary of Labor for purposes of investigation to ascertain compliance with such rules, regulations, and orders.
- F. In the event of the contractor's noncompliance with the nondiscrimination clauses of this contract or with any of such rules, regulations, or orders, this contract may be cancelled, terminated, or suspended in whole or in part and the contractor may be declared ineligible for further Government contracts in accordance with procedures authorized in Executive Order No. 11246 of September 24, 1965, or by rule regulation, or order of the Secretary of Labor, or as otherwise provided by law.
- G. The contractor will include the provisions of Paragraphs (A) through (G) in every subcontract or purchase order unless exempted by rules, regulations, or orders of the Secretary of Labor issued

pursuant to Section 204 of Executive Order No. 11246 of September 24, 1965, so that such provisions will be binding upon each subcontractor or vendor. The contractor will take such action with respect to any subcontract or purchase order as the contracting agency may direct as a means of enforcing such provisions, including sanctions for noncompliance; provided, however, that in the event the contractor becomes involved in, or is threatened with, litigation with a subcontractor or vendor as a result of such direction by the contracting agency, the contractor may request the United States to enter into such litigation to protect the interests of the United States.

16. Violating Facilities Clause

The Contractor agrees to comply with all applicable standards, orders or requirements under Section 306 of the Clean Air Act, 42 USC 1857 (h), Section 508 of the Clean Water Act, 33 USC 1368, Executive Order 11738, and EPA regulations, 40 CFR Part 32, which prohibits the use under non-exempt Federal contracts, grants, or loans of facilities included on the EPA List of Violating Facilities.

17. Certification Regarding Debarment, Suspension, and Other Responsibility Matters

The Contractor certifies to the best of its knowledge and belief that it and its principles:

- A. Are not presently debarred, suspended, proposed for debarment, declared ineligible, or voluntarily excluded from covered transactions by any Federal department or Agency;
- B. Have not within a year period preceding this proposal been convicted of or had a civil judgement rendered against them for commission of fraud or a criminal offense in connection with obtaining, attempting to obtain, or performing a public (Federal, State, or Local) transaction or contract under a public transaction; violation of Federal or State antitrust statutes or commission of embezzlement, theft, forgery, bribery, falsification or destruction of records, making false statements, or receiving stolen property.
- C. Are not presently indicted for or otherwise criminally or civilly charged by a government entity (Federal, State, or Local) with commission of any of the offenses enumerated in paragraph (B) of this certification;

- D. Have not within a three year period preceding this application / proposal had one or more public transactions (Federal, State, or Local) terminated for cause or default' and
- E. Will not utilize a subcontractor or supplier who is unable to certify (A) through (D) above.

IN WITNESS WHEREOF, the County and the Contractor affix their signatures:

WITNESS: HAMILTON COUNTY PUBLIC HEALTH

_____ Health Commissioner

_____ Date

WITNESS: CONTRACTOR: _____

_____ By: _____

_____ Title

Contractor to complete applicable paragraph below:

_____ A Corporation organized under the Laws of _____ and qualified to do business in the State of Ohio.

_____ Co-partners trading and doing business under the firm name and style of

_____ List names of all Partners _____

Or Joint Venture Participants _____

_____ An individual doing business under the firm name and style of

ATTACHMENT A
HAMILTON COUNTY PUBLIC HEALTH
NOTICE TO PROCEED

Date _____
Contractor Name
Street Address
City, State, Zip Code

Notice To Proceed With: _____

Enclosed is your copy of the completely executed contract in the amount of \$_____ to be paid from the _____ fund.

You are hereby authorized and notified to PROCEED with the repair or replacement of the household sewage treatment system located at _____ in accordance with all terms and conditions of your contract with HCPH. This includes by reference the specifications upon which you bid.

Sincerely,

Greg Kesterman
Health Commissioner, Hamilton County Public Health

ATTACHMENT B
State of Ohio
 WATER POLLUTION CONTROL LOAN FUND (WPCLF/SRF) HSTS

CONTRACT CHANGE ORDER

RECIPIENT _____ CHANGE ORDER NBR _____
 LOAN NUMBER _____ CONTRACT _____
 OWDA PROJECT No. _____ DATE _____

Description of Change
 (include address):

APPROVED BY: _____ DATE: _____
 (Health Department Representative)

ACCEPTED BY: _____ DATE: _____
 (Contractor)

_____ (Company)

Original Contract Amt		
Previous Changes (+ / --)		
This Change (+ / --)		
Adjusted Contract Amt		
Ohio EPA Acceptance	Date	

ATTACHMENT B

CHANGE ORDER INSTRUCTIONS:

All Change Orders for this work, regardless of costs, must be submitted to Ohio EPA for review.

Changes Requiring Prior Approval

Any change which substantially modifies the Project Facilities as specified in the Ohio EPA approved Facilities Plan and Final Permit to Install or Final Plan Approval (when applicable) or alters the direct or indirect impact of the Project Facilities upon the environment must be incorporated into a Change Order. One copy of the Change Order prior to execution is to be submitted to Ohio EPA for review and prior approval of the acceptability of the change. "Prior to execution" means before the Change Order is signed by the Owner.

Ohio EPA will review the Change Order and inform the Owner of the technical, environmental and operational acceptability of the change, and give the Owner permission to proceed with the proposed work.

All Other Changes

Change Orders not requiring prior approval as described above must be submitted to Ohio EPA within one (1) month of the time at which they are approved by the Owner. Change Orders for WPCLF projects should be submitted to the Division of Environmental and Financial Assistance (DEFA).

Change Order Approval Process

After the Change Order is executed, one (1) copy of the Change Order, including the supporting documentation, is to be sent to Ohio EPA for final review. The HSTS Change Order form must have original signatures.

Health Departments should submit change orders electronically to the DEFA Engineer who reviewed and approved their project.

After the Change Order is accepted and eligible costs determined, Ohio EPA will return a signed copy of the HSTS Change Order form.

Payments for Change Order Work

The Owner is precluded from submitting to the OWDA payment requests for Eligible Project Costs associated with the Change Orders until the Ohio EPA's approval of the Change Orders has been obtained.

ATTACHMENT C
Contractor Equal Employment Opportunity Certification

During the performance of this contract, the undersigned agrees as follows:

1. The undersigned will not discriminate against any employee or applicant for employment because of race, color, religion, sex, or national origin. The undersigned will take affirmative action to ensure that applicants are employed, and that employees are treated during employment without regard to their race, color, religion or national origin. Such action shall include, but not be limited to the following: Employment, upgrading, demotion, or transfer; recruitment or recruitment advertising; layoff or termination; rates of pay or other forms of compensation; and selection for training, including apprenticeship. The undersigned agrees to post in conspicuous places, available to employees and applicants for employment, notices to be provided setting forth the provisions of this equal opportunity (federally assisted construction) clause.
2. The undersigned will, in all solicitations or advertisements for employees placed by or on behalf of the undersigned, state that all qualified applicants will receive consideration for employment without regard to race, color, religion, sex or national origin.
3. The undersigned will send to each labor union or representative of workers, with which he has a collective bargaining agreement or other contract or understanding, a notice to be provided advising the said labor union or workers' representative of the undersigned's commitment under this section, and shall post copies of the notice in conspicuous places available to employees and applicants for employment.
4. The undersigned will comply with all provisions of Executive Order No. 11246 of September 24, 1965, and of the rules, regulations, and relevant orders of the Secretary of Labor.
5. The undersigned will furnish all information and reports required by Executive Order No. 11246 of September 24, 1965, and by the rules, regulations, and relevant orders of the Secretary of Labor, or pursuant thereto, and will permit access to his books, records and accounts by the administering agency of the Secretary of Labor for purposes of investigation to ascertain compliance with such rules, regulations, and orders.
6. In the event of the undersigned's non compliance with the equal opportunity (federally assisted construction) clause of this contract or with any of the said rules, regulations, or orders, this contract may be canceled, terminated or suspended in whole or in part, and the undersigned may be declared ineligible for further Government contracts or federally assisted construction contracts in accordance with procedures authorized in Executive Order No. 11246 of September 24, 1965, and such other sanctions may be imposed and remedies invoked as provided in Executive Order No 11246 of September 24, 1965, or by rules, regulations, or order of the Secretary of Labor, or as provided by law.
7. The undersigned will include this equal opportunity (federally assisted construction) clause in every subcontract or purchase order unless exempted by the rules, regulations, or orders of the Secretary of Labor issued pursuant to section 204 of Executive Order No 11246 of September 24, 1965, so that such provision will be binding upon each subcontract or vendor. The undersigned will take such action with respect to any subcontract or purchase order as the administering agency may direct as a means of enforcing such provisions, including sanctions for non compliance: Provided, however, that in the event a contractor becomes involved in, or is threatened with, litigation with a subcontractor or vendor, as a result of such direction by the administering agency the undersigned may request the United States to enter into such litigation to protect the interest of the United States.

(Signature)

(Date)

(Name and Title of Signer, Please type)

(Firm Name)

ATTACHMENT D

Certification Regarding Debarment, Suspension, and Other Responsibility Matters

The prospective participant certifies to the best of its knowledge and belief that it and its principals:

- (a) Are not presently debarred, suspended, proposed for debarment, declared ineligible, or voluntarily excluded from covered transactions by any Federal department or agency;
- (b) Have not within a three year period preceding this proposal been convicted of or had a civil judgement rendered against them for commission of fraud or a criminal offense in connection with obtaining, attempting to obtain, or performing a public (Federal, State, or local) transaction or contract under a public transaction; violation of Federal of State antitrust statues or commission if embezzlement, theft, forgery, bribery, falsification or destruction of records, making false statements, or receiving stolen property;
- (c) Are not presently indicted for or otherwise criminally or civilly charged by a government entity (Federal, State or local) with commission of any of the offenses enumerated in paragraph (b) of this certification;
- (d) Have not within a three year period preceding this application / proposal had one or more public transactions (Federal, State, or local) terminated for cause or default; and
- (e) Will not utilize a subcontractor or supplier who is unable to certify (a) through (d) above.

I understand that a false statement on this certification may be grounds for rejection of this proposal or termination of the award. In addition, under 18 USC Sec. 1001, a false statement may result in a fine of up to \$10,000 or imprisonment for up to 5 years, or both.

Type Name & Title of Authorized Representative

Signature of Authorized Representative

Date

I am unable to certify to the above statements. My explanation is attached.

ATTACHMENT D
Certification Regarding Debarment, Suspension, and Other Responsibility Matters
INSTRUCTIONS

Under Executive Order 12549 an individual or organization debarred or excluded from participation in Federal assistance or benefit programs may not receive any assistance award under a Federal program or a subagreement thereunder for \$25,000 or more.

Accordingly, each prospective recipient of an EPA grant, loan, or cooperative agreement and any contract or subagreement participant thereunder must complete the attached certification provide an explanation why they cannot. For further details, see 40 CFR 32.510, Participants' responsibilities, in the attached regulation.

Go to <https://www.sam.gov/portal/SAM/##11> to access the Excluded Parties List System (EPLS). The EPLS includes information regarding entities debarred, suspended, proposed for debarment, excluded or disqualified under the nonprocurement common rule, or otherwise declared ineligible from receiving Federal contracts, certain subcontracts, and certain Federal assistance and benefits. This information may include names, addresses, DUNS numbers, Social Security Numbers, Employer Identification Numbers or other Taxpayer Identification Numbers, if available and deemed appropriate and permissible to publish by the agency taking the action.

Where To Submit

The prospective EPA grant, loan, or cooperative agreement recipient must return the signed certification or explanation with its application to the appropriate EPA Headquarters, Regional office, or Ohio EPA, as required in the applications.

A prospective prime contractor must submit a complete certification or explanation to the individual or organization awarding the contract.

Each prospective subcontractor must submit a complete certification or explanation to the prime contractor for the project.

Applicants may reproduce these materials as needed and provide them to their prospective prime contractor, who, in turn, may reproduce and provide them to prospective subcontractors.

Additional copies / assistance may be requested from: Ohio EPA
Division of Environmental and Financial Assistance
P.P. Box 1049
Columbus, Ohio 43216 1049
(614) 644 2798

<http://epa.ohio.gov/defa/EnvironmentalandFinancialAssistance.aspx>

ATTACHMENT E

American Iron and Steel Acknowledgement

The Contractor acknowledges to and for the benefit of _____ (“Purchaser”) and the State of Ohio (the “State”) that it understands the goods and services under this Agreement are being funded with monies made available by the Clean Water State Revolving Fund and/or Drinking Water State Revolving Fund that have statutory requirements commonly known as “American Iron and Steel;” that requires all of the iron and steel products used in the project to be produced in the United States (“American Iron and Steel Requirement”) including iron and steel products provided by the Contractor pursuant to this Agreement. The Contractor hereby represents and warrants to and for the benefit of the Purchaser and the State that (a) the Contractor has reviewed and understands the American Iron and Steel Requirement, (b) all of the iron and steel products used in the project will be and/or have been produced in the United States in a manner that complies with the American Iron and Steel Requirement, unless a waiver of the requirement is approved, and (c) the Contractor will provide any further verified information, certification or assurance of compliance with this paragraph, or information necessary to support a waiver of the American Iron and Steel Requirement, as may be requested by the Purchaser or the State. Notwithstanding any other provision of this Agreement, any failure to comply with this paragraph by the Contractor shall permit the Purchaser or State to recover as damages against the Contractor any loss, expense, or cost (including without limitation attorney’s fees) incurred by the Purchaser or State resulting from any such failure (including without limitation any impairment or loss of funding, whether in whole or in part, from the State or any damages owed to the State by the Purchaser). While the Contractor has no direct contractual privity with the State, as a lender to the Purchaser for the funding of its project, the Purchaser and the Contractor agree that the State is a third-party beneficiary and neither this paragraph (nor any other provision of this Agreement necessary to give this paragraph force or effect) shall be amended or waived without the prior written consent of the State.

Signature

Date

Name and Title of Authorized Signatory, Please Print or Type

Bidder’s Firm

Check here if the WPCLF or WSRLA applicant will be requesting an individual waiver for non-American made iron and steel products. Please note that the waiver box does not need to be marked for nationwide waivers.

I:\PROJECT\07218183.00\Deliverables\Draft Reports\Version 3\KAUFMAN Septic v3c2.dwg Oct 08, 2019 - 12:22pm Layout Name: Sheet1

SEWAGE TREATMENT SYSTEM (STS) DESIGN FOR: Chelsea Kaufman 10054 Prechtel Road Cincinnati, OH 45252 Par# 510-0183-0008-00 1.484 Acres

Designed By: SCS ENGINEERS
2060 Reading Road, #200
Cincinnati OH 45202
513-421-5353
Orig. Design Date: June 13, 2018
Site Visited: July 11, 2018

System Installation, Operation And Maintenance (O&M)

All system devices and components must be operated and maintained in accordance with the Ohio Department of Health (ODH) product approval, Hamilton County Public Health Operation Permit Terms and Conditions. System devices and components must be installed per ODH product approval, Hamilton County Installation Manual and this design. Where conflicts exist, consult HCPH or designer for guidance before proceeding.
Flow 2 UV Installation Manual: <http://ow.ly/I6Py30baK1V>
Flow 2 UV O&M Manual: <http://ow.ly/sve930baK99>
Multi-Flo O&M Manual: <http://ow.ly/Uf3ha>
Polylok 20" D-Boxes: <http://ow.ly/LhrC308Rhwh>
Tuf-Tite: <http://www.tuf-tite.com/d-boxes.html>
Tuf-Tite Universal Plug: <http://ow.ly/dwdC30gyxUc>
Infiltrator Chambers: <http://ow.ly/AIzQ30gKjRK>
Hamilton County Installation Manual: <http://ow.ly/YUIW30dOkV6>
This installation will require an electrical inspection(s) and approval by IBI (513) 381-6080, <http://www.inspectionbureau.com/>
Means for O&M is provided by the driveway which is within standard distances and elevations for a service truck.

Changes and Use of This Design

This plan is the sole ownership of the designer and may not be altered, changed, used or manipulated without approval of SCS Engineers. SCS Engineers is available to make adjustments and address questions about the system design.
It is the responsibility of the contractor to verify that the system can be installed as designed, based on their preliminary lay-out of the job. It is the responsibility the installer and property owner to inform the designer of any field or other conditions that may affect the installation, operation or maintenance of the STS, including site disturbances that may affect the performance of a soil absorption component. If design changes are needed, redesign fees may apply.

System Protection

Property owner and installer are responsible to protect the soil absorption areas from disturbance. Only excavate soil absorption area when soil is dry and friable to a depth of 14" and in compliance with Hamilton County Installation Manual requirements. Keep wheeled traffic off leach field area. It is the owner and installation contractors responsibility to locate underground utilities. If utilities interfere with the designed system, construction shall not proceed without approval from HCPH and SCS Engineers.
No clearwater connections (downspouts, pool/spa water, footer tiles, cisterns, etc) shall be connected to this STS.
All system components must meet the horizontal isolation distances specified in OAC 3701-29-06(G)(3).

System Cost Information

The property owner has been informed of system options and briefed on cost factors. According to OAC 3701-29-10(B)(5), designers of STS systems must include approximate installation costs and operational costs of STS options to assist the homeowner in the selection of the STS options.

SCS Engineers estimates costs as follows :
\$28,000 - \$35,000 Installation cost*
\$800 annual operational cost*

*This is a general estimate of costs for this system. It is not a bid to install or service the STS. Contact a licensed installer and service provider or distributor for actual bids.

Disclaimer

This plan set is not a site plan to be used for constructing anything other than the Sewage Treatment System. If an accurate legal site plan is required, contact a professional surveyor. This plan offers no guarantee as to the accuracy of information provided. This plan offers no guarantees for site stability. If site stability may be an issue, a geotechnical engineer should be consulted. Plan is only as accurate as the information provided by the property owner to the designer. Easements, right-of-ways, hidden objects or information not communicated to the designer invalidates the design. It is the property owner's responsibility to review this plan and information provided to verify all site conditions and design assumptions are correct. If conflicts are found or additional information must be supplied, the owner shall contact the designer and installation shall not proceed until the approval is granted. This design shall in no way be taken as guarantee that the system will function in a satisfactory manner for any given period of time, or that SCS Engineers or any of its agents or employees assume any liability for damages, consequential or direct, which are caused, or which may be caused by a malfunction of the STS.

Design Details:

Using a Multi-Flo 500 GPD ATU with Flow2 UV disinfection ^{re-activation} to zoned gravity fed leach lines with upslope interceptor drains for each zone. Due to a small area with shallow mottles, the distance between the zones had to be increased from the 50 feet minimum to approximately 103 feet. Existing laundry facility is required to be connected to septic system and a separate plumbing permit will be required.

Design Rational:

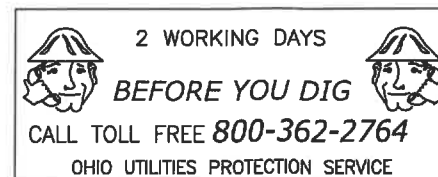
This replacement system design is for a 3 bedroom home with a Daily Design Peak Flow of 360 GPD. The peak flow should not be reached on a routine basis. Average flows of 216 GPD can be accommodated routinely with typical residential wastewater strength as specified in Ohio Administrative Code (OAC) 3701-29 for households.

Shallow soil with a seasonal water table at 18"-28" and flow restrictive layer of highly weather soil at 30" from the ground's surface. Conditions require an 24" Vertical Separation Distance with 8" In Situ Soil. Owner chose a MultiFlo 500GPD ATU with a Flow2 UV (which provides a 24" soil credit) to gravity fed leach lines buried 14.0" below surface (upslope depth). Since the site has 4" of remaining in situ soil under the bottom of the leaching trenches to the seasonal water table and 16" of remaining in-situ soil under the bottom of the leaching trenches to the flow restrictive layer, both conditions are satisfied.

The leaching trenches minimum design length and width are calculated based on the worst soil conditions under the soil absorption system. The loading rate was selected from tables in the Ohio Administrative Code. The Soil Loading rate for this silty clay loam with moderate subangular blocky structure is 0.6 GPD/sq.ft for pretreated effluent. The Linear Loading Rate for this silty clay loam with moderate subangular blocky structure with an infiltrative distance of 4" and 7% slope is 2.7 GPD/Ln. Ft. Slope was determined by field measurements. Slope of 7% was used for trench depth calculations since that would be the maximum difference in trench sidewall depth.

The leaching line Design Length is therefore 360 GPD divided by 2.7 Gal.Per Ln. Ft = 133.3 feet long. The required infiltrative surface area is 360 GPD divided by 0.6 GPD/ft2 = 600 square feet. The provided design uses eight leaching trenches 68 feet long (minimum) by 2 ft wide (1,088 sq ft provided). Two additional leaching trench measuring 68 feet long (minimum) by 2 ft wide is provided to achieve the 25% additional infiltrative surface for resting rate (150 sq ft required; 272 sq ft provided). The trenches are divided into 2 zones, thus providing 136 feet length (2 x 68ft). The required number of main trenches to meet the regulations would be 6 leach trenches 68 feet long by 2 feet wide. The additional two main trenches are added to provide additional capacity and to address 3701-29-15(N)(2)(d).

A variance was obtained from Resolution A-2015: Policies and Standard pursuant to Ohio Administrative Code 3701-29-15(H) & 3701-29-15(M)(2) to install gravity leach lines and not meet the required 6" vertical separation distance.

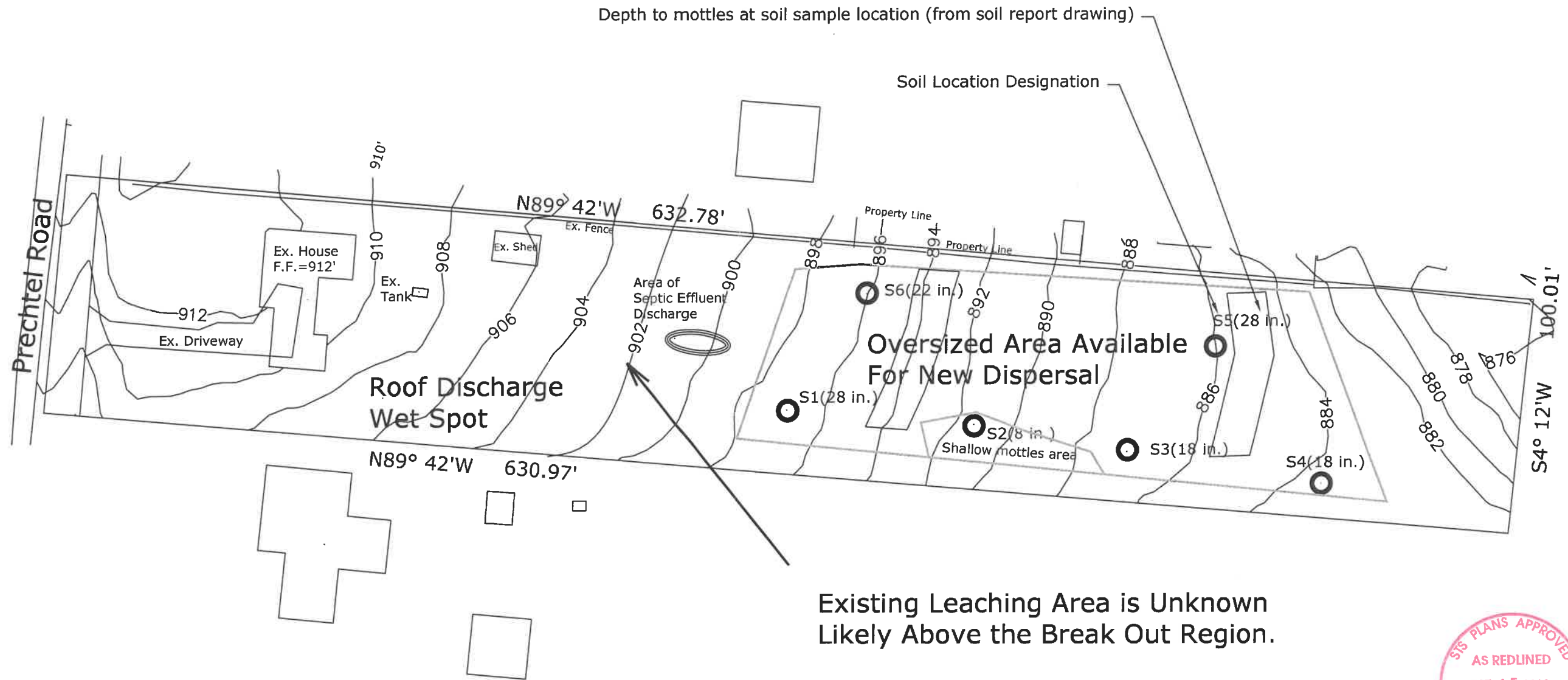


SCS ENGINEERS CONSULTING ENGINEERS, INC. 2060 READING ROAD SUITE 200 CINCINNATI, OHIO 45202 PH. (513) 421-5353			
PROJ. NO. 07218183.00	CADD FILE: KAUFMAN SEPTIC V1	DATE: September 2018	SCALE: N.T.S.

SHEET 1
GENERAL NOTES AND DESIGN BASIS
10054 PRECHTEL ROAD - KAUFMAN RESIDENCE PARCEL NUMBER: 510-0183-0008-00 HAMILTON COUNTY OHIO - 1.484 ACRES



I:\PROJECT\07218183.00\Deliverables\Draft Reports\Version 3\KAUFMAN Septic v3c.dwg Aug 21, 2019 - 2:13pm Layout Name: Sheet2

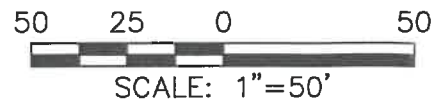


Existing Leaching Area is Unknown
Likely Above the Break Out Region.

The area noted as "Roof Discharge Wet Spot" is more likely the laundry sump discharge point. The laundry must be connected into the septic system and a separate plumbing permit must be obtained.

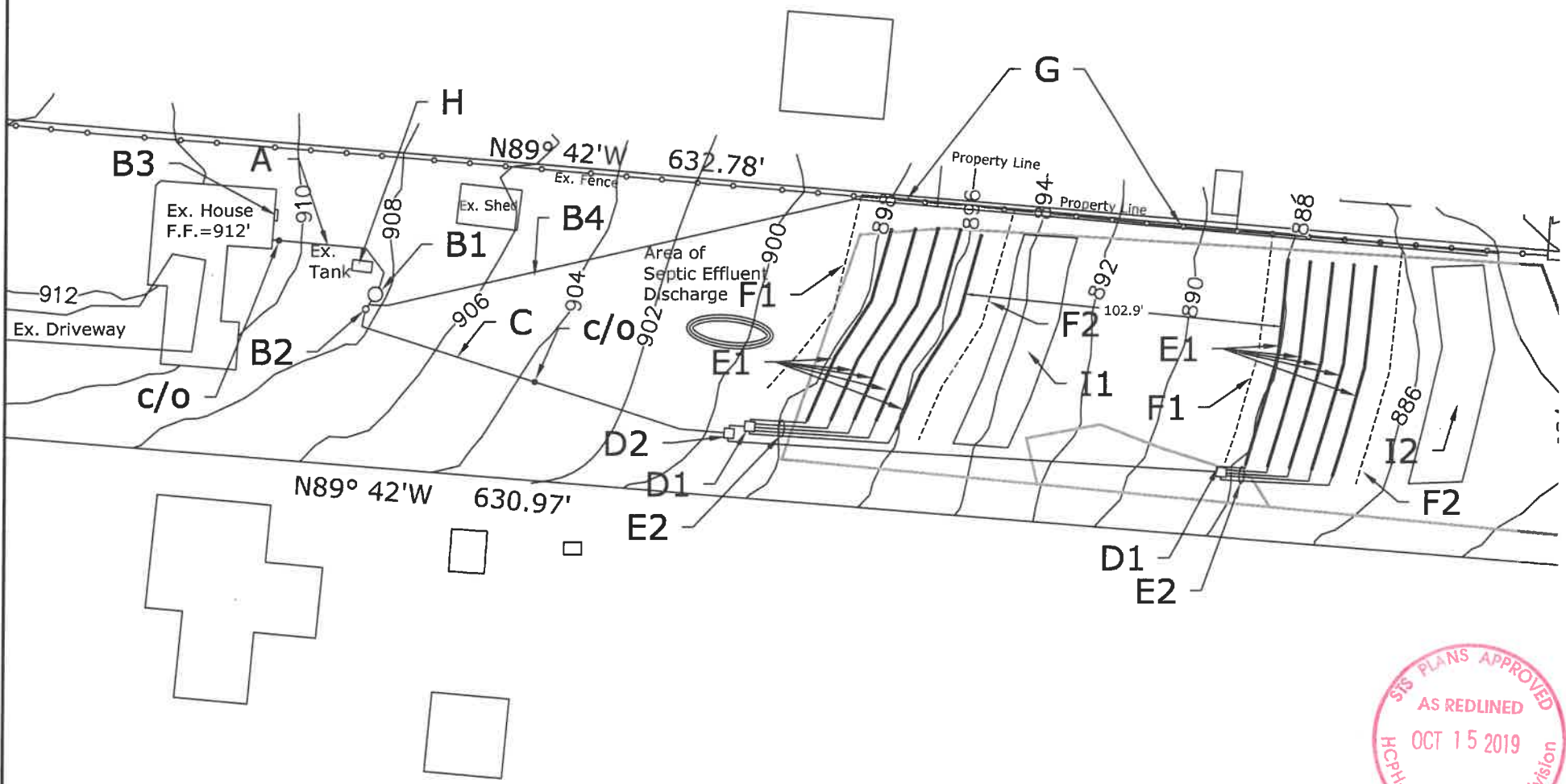


○ SOIL SAMPLING LOCATIONS
These are approximate.
as GPS in woods is not as accurate



SCS ENGINEERS CONSULTING ENGINEERS, INC. 2060 READING ROAD SUITE 200 CINCINNATI, OHIO 45202 PH. (513) 421-5353				SHEET 2	
PROJ. NO. 07218183.00	CADD FILE: KAUFMAN SEPTIC V1	DATE: September 2018	SCALE: N.T.S.	SEPTIC SYSTEM LAYOUT AND COMPONENTS	
				10054 PRECHTEL ROAD - KAUFMAN RESIDENCE PARCEL NUMBER: 510-0183-0008-00 HAMILTON COUNTY OHIO - 1.484 ACRES	

Laundry fixtures, utility sink, and any other plumbing fixtures must be re-routed to go to a separate ejector pit and discharge into the septic system. This will require a plumbing permit.



A - 4 inch Sch 40 PVC Sewer pipe with minimum 1% grade and cleanout where pipe exits foundation wall, at 75 feet, and every 100 feet thereafter. No fittings greater than 45° allowed. Pipe installed on slope greater than 20% shall be anchored at every connection.

B1 - Multi-Flo 500 gallon per day ATU with Flow2 UV disinfection.

B2 - Flow2 UV Post aeration system

B3 - Control Panel (Consolidated 4080) mounted on house. Alternate location can be anywhere around ATU. Final location to be determined by installer and homeowner during installation with prior approval by HCPH.

B4 - Tank Cavity Drain. See Sheet 4A for Detail.

C - 4 inch Sch 40 PVC pipe. Cleanouts installed at every 100 feet.

D1 - 2 Distribution Boxes - Polylok 3017-206 , Tuf-Tite 6HD2, or any other HCPH approved d-box containing a minimum of 1 inlet and 5 outlet ports. Distribution boxes shall use speed levelers to provide equal flow to trenches. Resting trenches shall use Tuf-tite P-40 Universal Plugs, or equal.

D2 - 1 Distribution Boxes - Polylok 3016-DB12 , Tuf-Tite 4HD2, or any other HCPH approved d-box containing a minimum of 1 inlet and 2 outlet ports. Distribution boxes shall use speed levelers to provide equal flow to trenches. Resting trenches shall use Tuf-tite S-85 Universal Plugs, or equal.

E1 - 4" SCH40 PVC pipes from distribution box to leach lines

E2 - Gravity Fed Leach Lines with Chambers and Observation Ports at the ends - see Sheets 4A, 4B, 5, and 6 for details. Distance between zones is approximately 103 feet due to an exclusion zone from the soil report.

F1 - 12" wide x 24" depth Interceptor drain in gravel sloped 1/16" per foot to outlet. Gravel to the surface (See Sheet 4A). Depth will be about 28.1 inches at the connection to the outlet line.

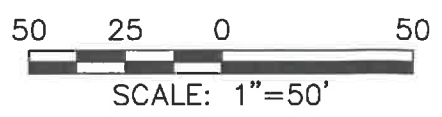
F2 - 12" wide x 24" depth perimeter drain in gravel sloped 1/16 in. per foot to outlet. Depth will be about 28.1 inches at the connection to the outlet line. See Sheet 4A for detail.

G - Interceptor drain and perimeter drain outlet lines must be solid walled rigid pipe; Portion with <12" cover must be 4" Sch 40 PVC, Minimum of last 10' must be 4" Sch 40 PVC w/ Animal Guard at outlet; 6" min. freeboard. Sloped minimum 1/8" per foot to outlet. Discharge lines must be a minimum of 8 feet away from the leach trench ends.

H - Approximate location of existing original septic tank. Tank shall be abandoned per OAC 3701-29-21, and in conformance with HCPH permitting and reporting requirements.

I1 - Reserve Area - Split Mound #1 (71.6' long x 16.7' wide). See attached spreadsheet.

I2 - Reserve Area - Split Mound #2 (71.6' long x 16.7' wide). See attached spreadsheet.



SCS ENGINEERS
CONSULTING ENGINEERS, INC.
2060 READING ROAD SUITE 200 CINCINNATI, OHIO 45202
PH. (513) 421-5353

PROJ. NO. 07218183.00	CADD FILE: KAUFMAN SEPTIC V1	DATE: September 2018	SCALE: AS SHOWN
--------------------------	------------------------------------	-------------------------	--------------------

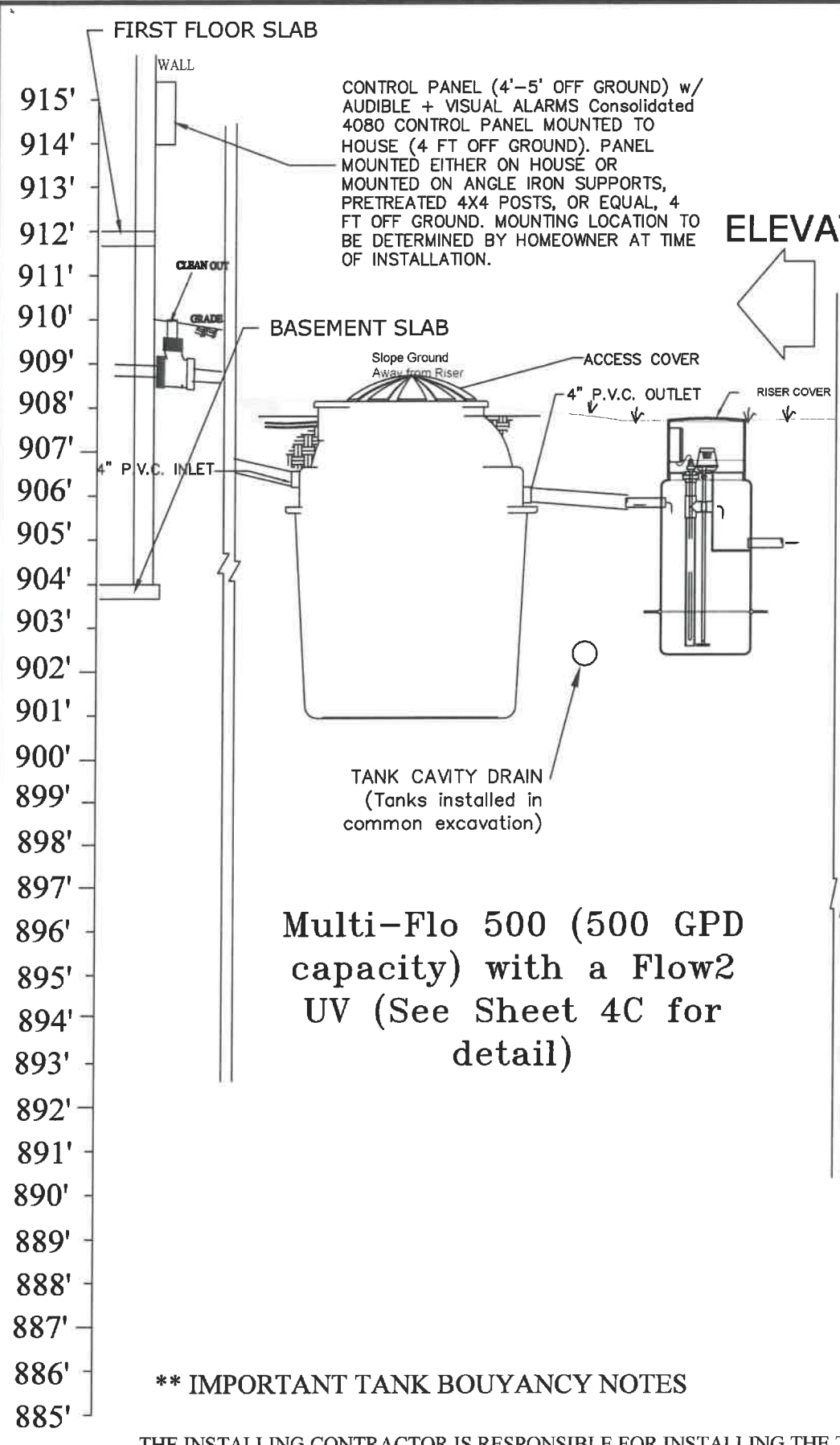
SHEET 3

STS LAYOUT AND COMPONENTS

10054 PRECHTEL ROAD - KAUFMAN RESIDENCE
PARCEL NUMBER: 510-0183-0008-00
HAMILTON COUNTY OHIO - 1.484 ACRES

I:\PROJECT\07218183.00\Deliverables\Draft Reports\Version 3\KAUFMAN Septic v3c2.dwg Oct 08, 2019 - 12:22pm Layout Name: Sheet3

I:\PROJECT\07218183.00\Deliverables\Draft Reports\Version 3\KAUFMAN Septic v3c.dwg Aug 21, 2019 - 2:13pm Layout Name: Sheet4A



Multi-Flo 500 (500 GPD capacity) with a Flow2 UV (See Sheet 4C for detail)

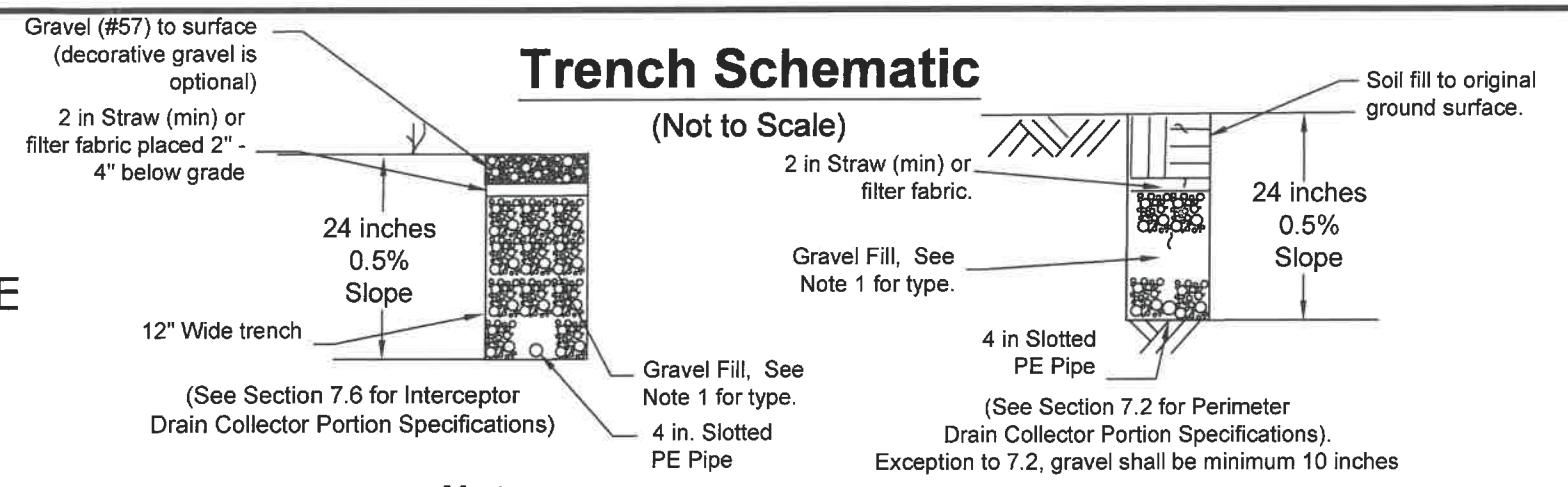
**** IMPORTANT TANK BOUYANCY NOTES**

THE INSTALLING CONTRACTOR IS RESPONSIBLE FOR INSTALLING THE TANKS IN ACCORDANCE WITH MANUFACTURER GUIDELINES FOR BACKFILL AND BUOYANCY REQUIREMENTS. BACKFILL SHALL BE ANGULAR GRAVEL (NOT WASHED RIVER ROCK) - 1" OR LESS (LIMESTONE, C-33 CONCRETE SAND OR GRITS IS ALSO ACCEPTABLE).

ELEVATION REFERENCE

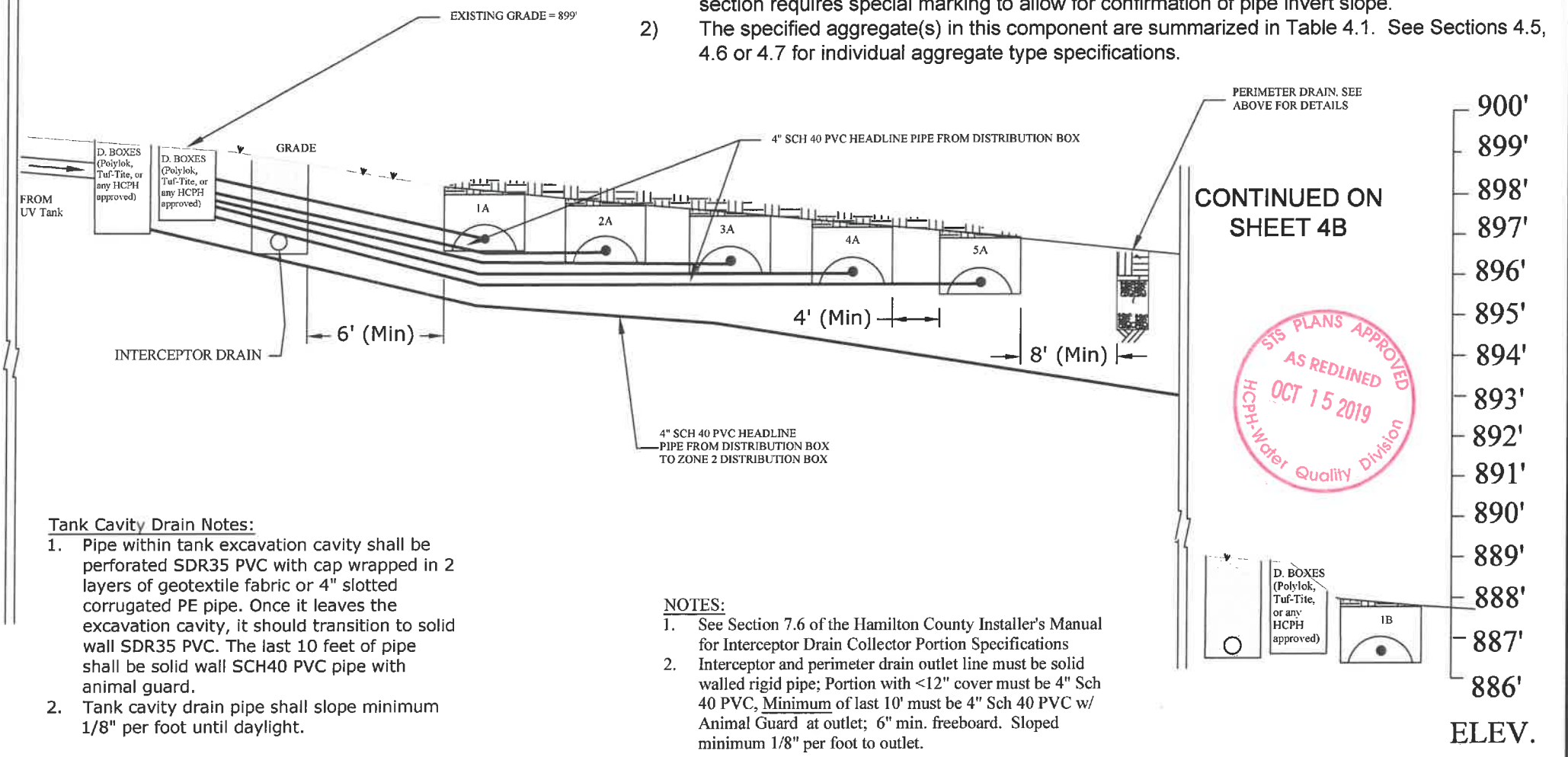
915'
914'
913'
912'
911'
910'
909'
908'
907'
906'
905'
904'
903'
902'
901'
900'
899'
898'
897'
896'
895'
894'
893'
892'
891'
890'
889'
888'
887'
886'
885'

ELEV.



Notes:

- 1) The required aggregate backfill varies with the width of the excavated trench, See Section 7.2 & 7.6 for requirements. For aggregate specifications, See Section(s) 4.5, 4.6 or 4.7. If aggregate specified in Section 4.7 is used, then the requirements of Section 4.9 apply. This section requires special marking to allow for confirmation of pipe invert slope.
- 2) The specified aggregate(s) in this component are summarized in Table 4.1. See Sections 4.5, 4.6 or 4.7 for individual aggregate type specifications.



Tank Cavity Drain Notes:

1. Pipe within tank excavation cavity shall be perforated SDR35 PVC with cap wrapped in 2 layers of geotextile fabric or 4" slotted corrugated PE pipe. Once it leaves the excavation cavity, it should transition to solid wall SDR35 PVC. The last 10 feet of pipe shall be solid wall SCH40 PVC pipe with animal guard.
2. Tank cavity drain pipe shall slope minimum 1/8" per foot until daylight.

NOTES:

1. See Section 7.6 of the Hamilton County Installer's Manual for Interceptor Drain Collector Portion Specifications
2. Interceptor and perimeter drain outlet line must be solid walled rigid pipe; Portion with <12" cover must be 4" Sch 40 PVC, Minimum of last 10' must be 4" Sch 40 PVC w/ Animal Guard at outlet; 6" min. freeboard. Sloped minimum 1/8" per foot to outlet.



SCS ENGINEERS
CONSULTING ENGINEERS, INC.
2060 READING ROAD SUITE 200 CINCINNATI, OHIO 45202
PH. (513) 421-5353

PROJ. NO. 07218183.00	CADD FILE: KAUFMAN SEPTIC V1	DATE: September 2018	SCALE: AS SHOWN
--------------------------	---------------------------------	-------------------------	--------------------

SHEET 4A

HYDRAULIC PROFILE

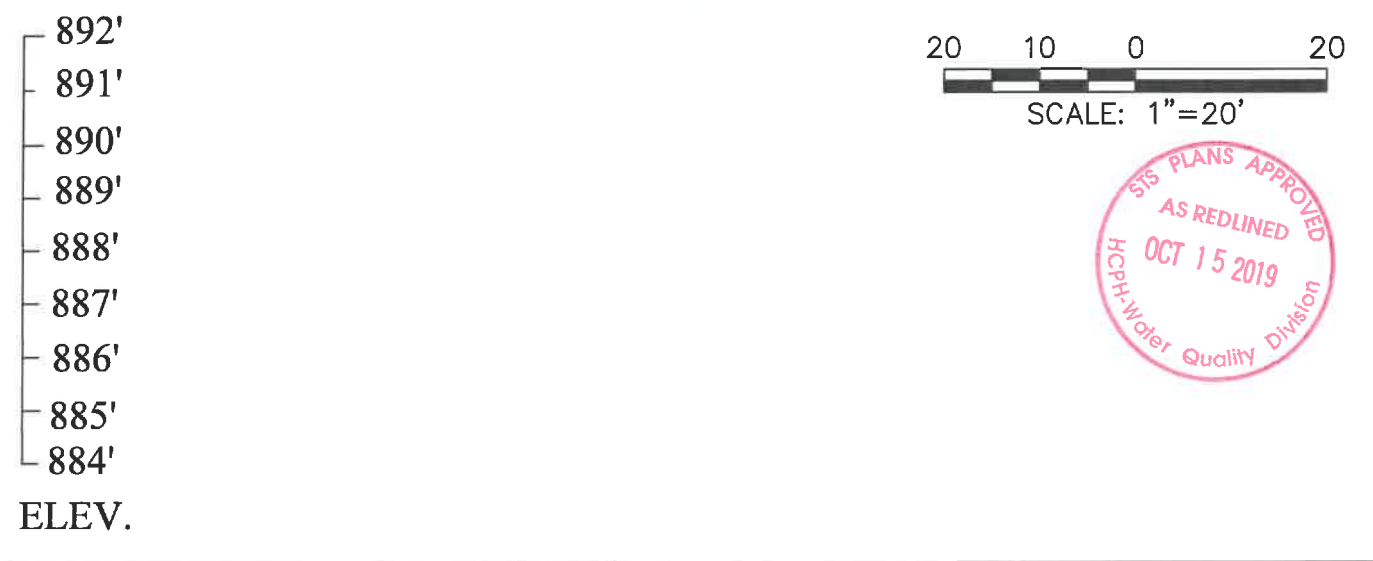
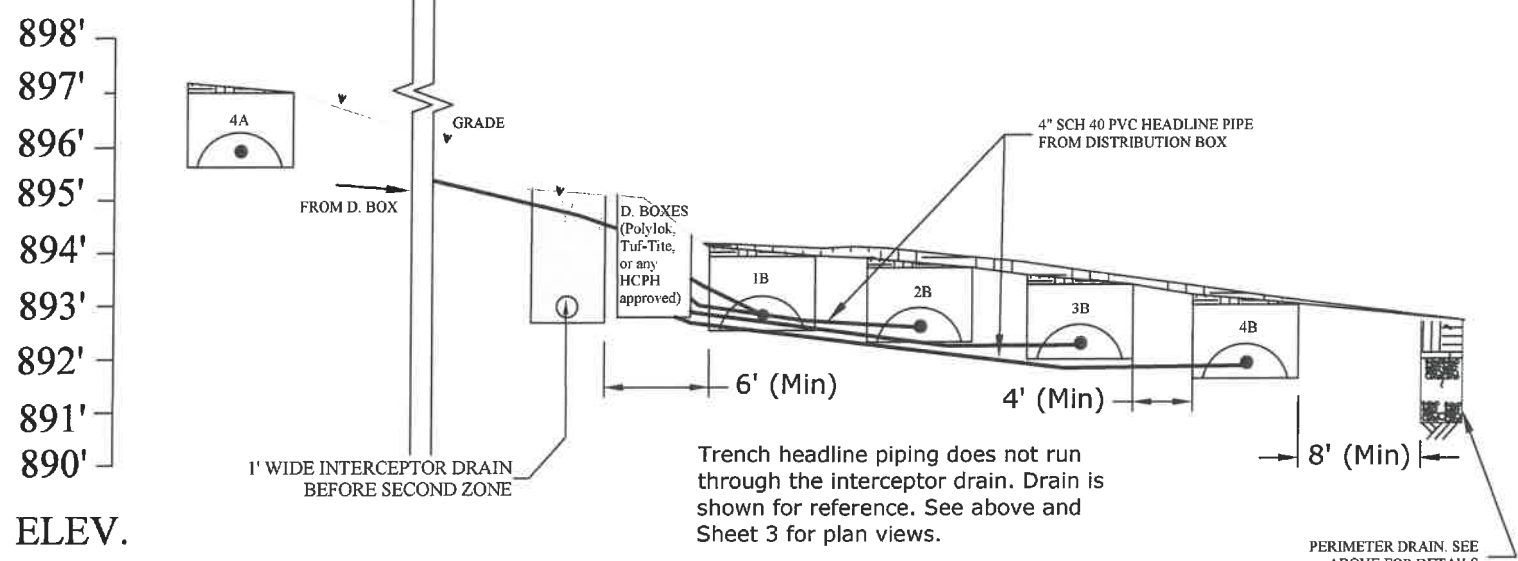
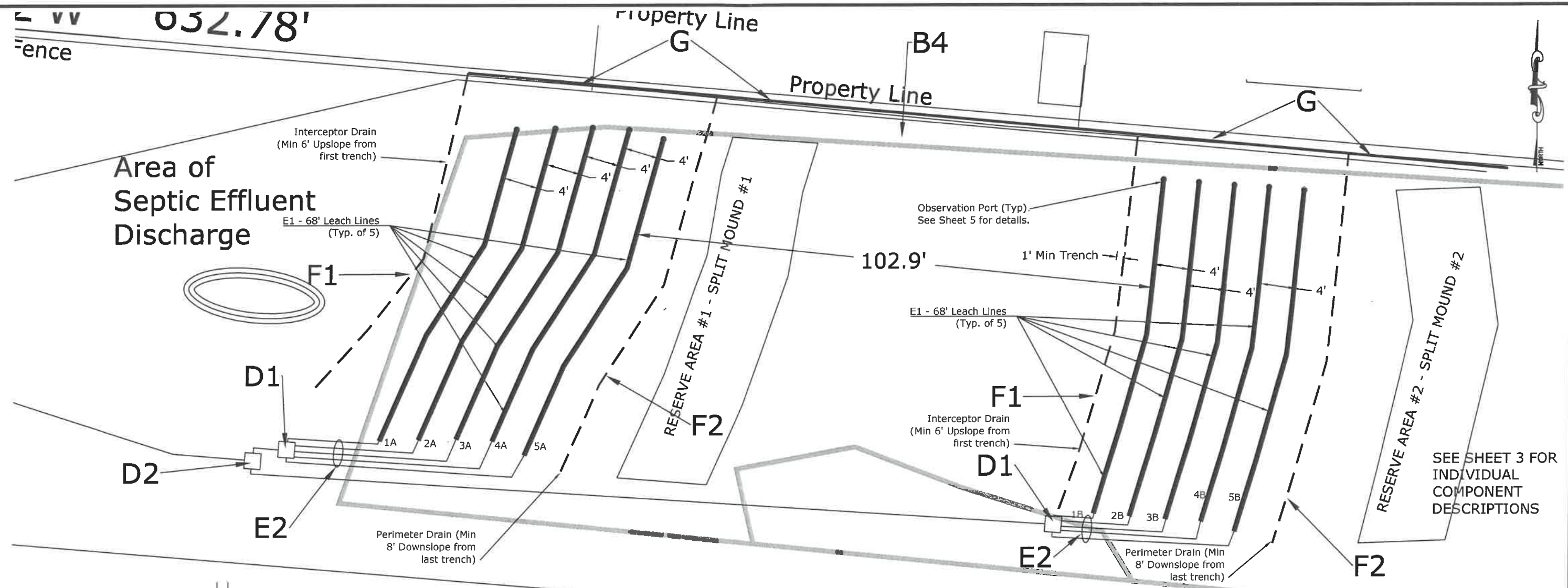
10054 PRECHTEL ROAD - KAUFMAN RESIDENCE
PARCEL NUMBER: 510-0183-0008-00
HAMILTON COUNTY OHIO - 1.484 ACRES

900'
899'
898'
897'
896'
895'
894'
893'
892'
891'
890'
889'
888'
887'
886'

ELEV.

CONTINUED ON SHEET 4B

i:\PROJECT\07218183.00\Deliverables\Draft Reports\Version 3\KAUFMAN Septic v3.cdwg Aug 21, 2019 - 2:13pm Layout Name: Sheet4B



ALL SECTION NOTATIONS REFERENCE THE HAMILTON COUNTY INSTALLER'S MANUAL

SCS ENGINEERS
 CONSULTING ENGINEERS, INC.
 2060 READING ROAD SUITE 200 CINCINNATI, OHIO 45202
 PH. (513) 421-5353

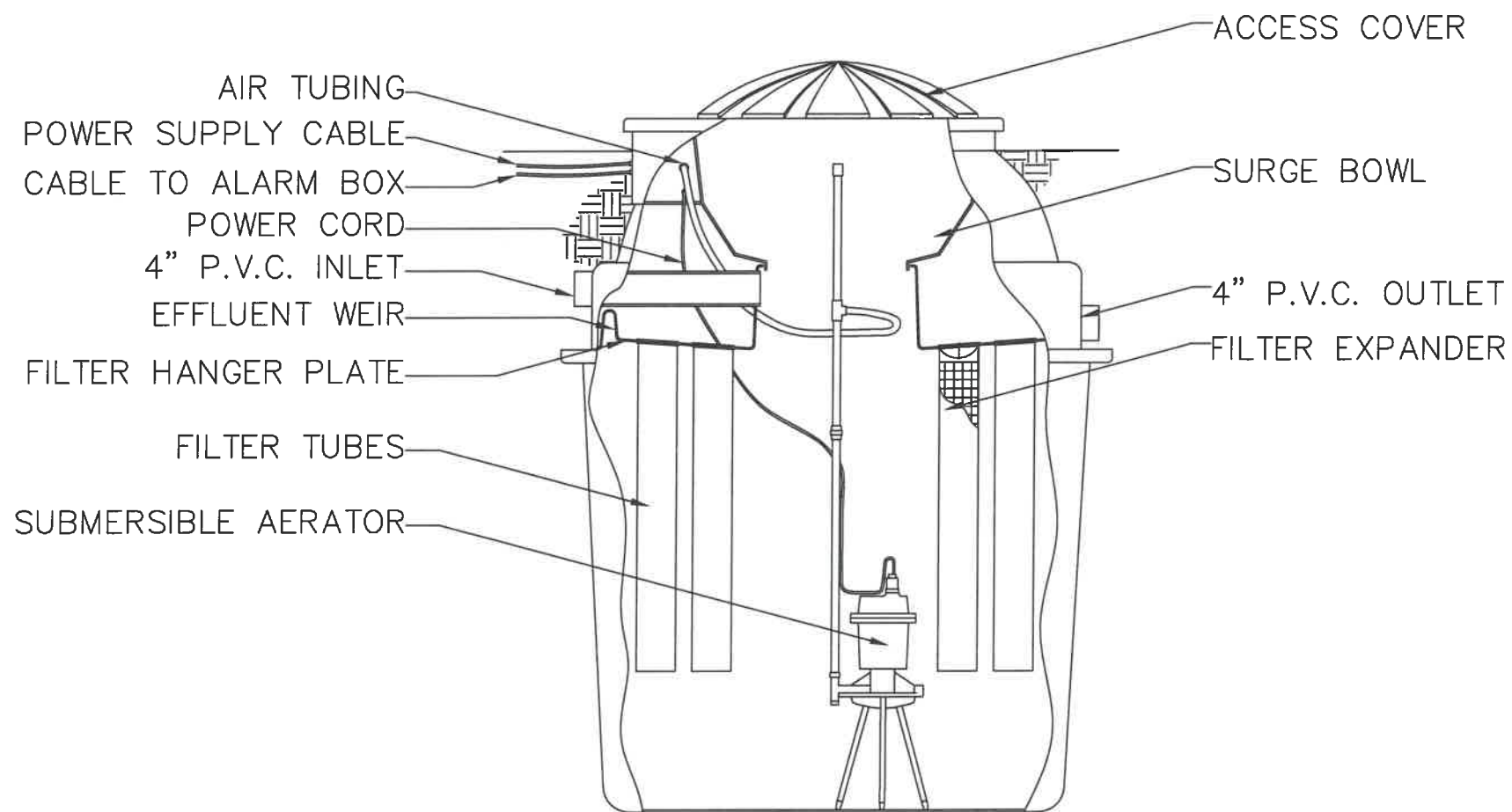
PROJ. NO. 07218183.00	CADD FILE: KAUFMAN SEPTIC V1	DATE: September 2018	SCALE: AS SHOWN
--------------------------	------------------------------------	-------------------------	--------------------

SHEET 4B

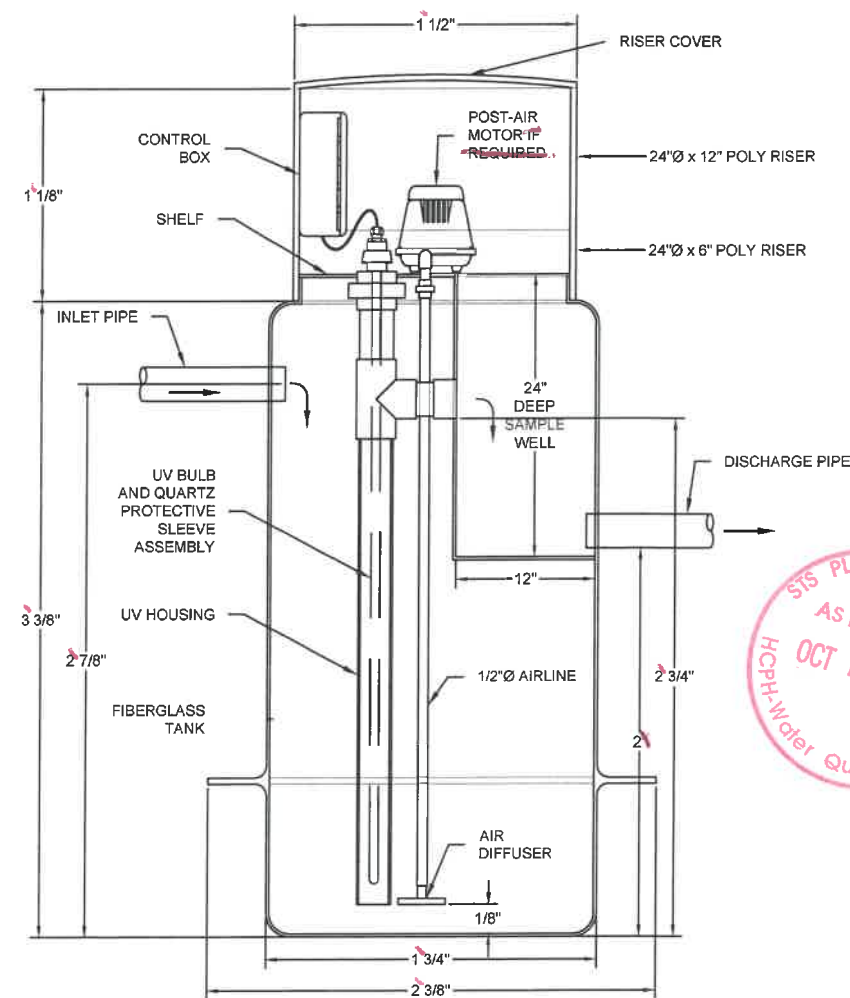
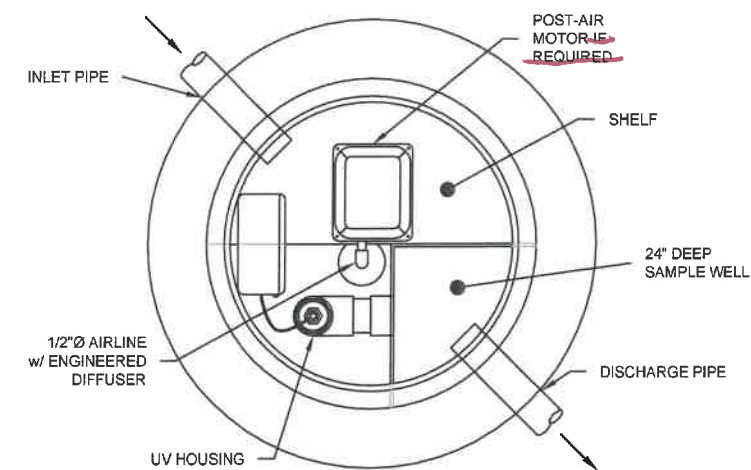
HYDRAULIC PROFILE

10054 PRECHTEL ROAD - KAUFMAN RESIDENCE
 PARCEL NUMBER: 510-0183-0008-00
 HAMILTON COUNTY OHIO - 1.484 ACRES

I:\PROJECT\07218183.00\Deliverables\Draft Reports\Version 3\KAUFMAN Septic v3c.dwg Aug 21, 2019 - 2:13pm Layout Name: Sheet4C



Multi-Flo 500 (500 GPD capacity)



F2 UV / POST AERATION SYSTEM



SCS ENGINEERS			
CONSULTING ENGINEERS, INC. 2060 READING ROAD SUITE 200 CINCINNATI, OHIO 45202 PH. (513) 421-5353			
PROJ. NO. 07218183.00	CADD FILE: KAUFMAN SEPTIC V1	DATE: September 2018	SCALE: AS SHOWN

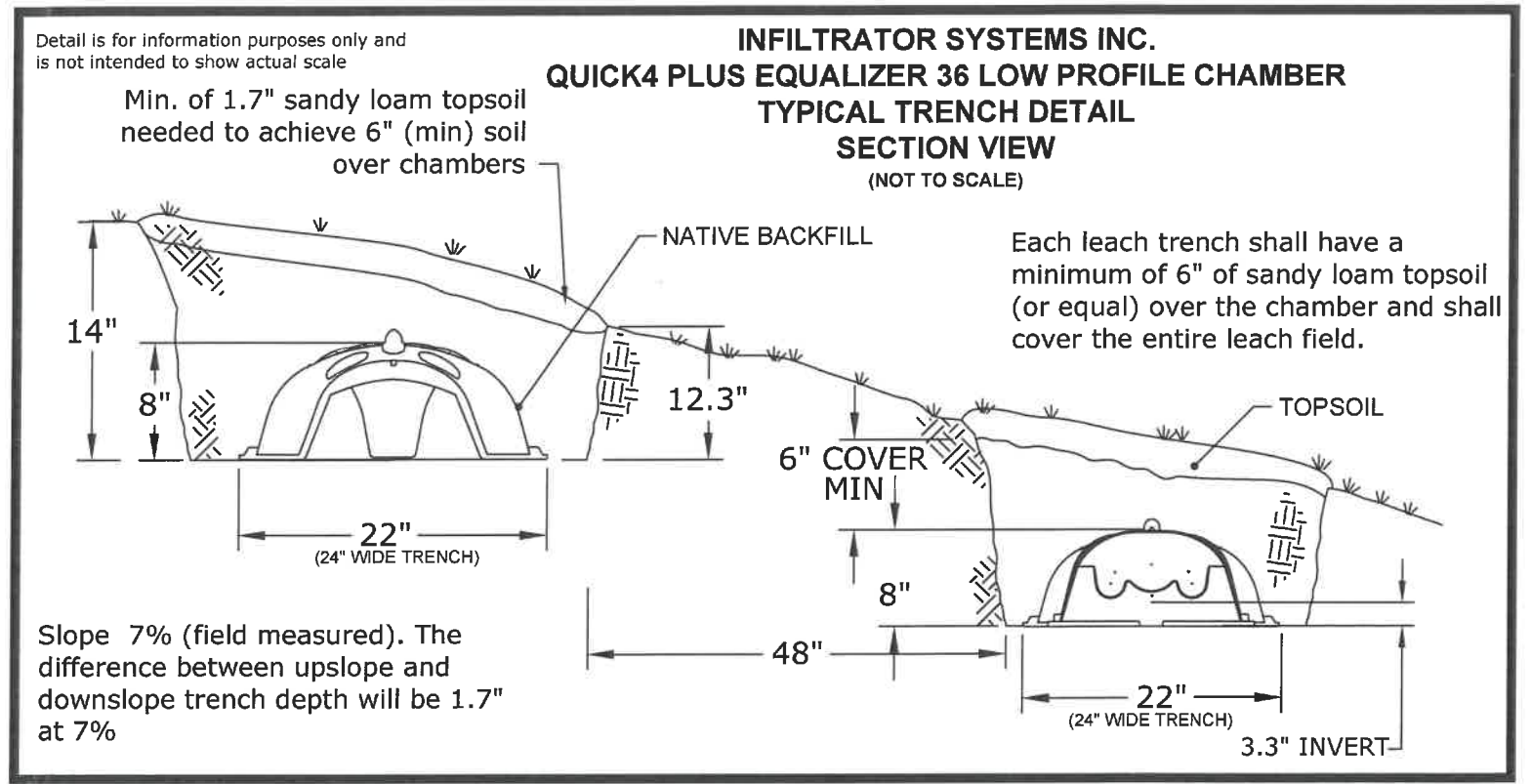
SHEET 4C
TREATMENT COMPONENTS
10054 PRECHTEL ROAD - KAUFMAN RESIDENCE PARCEL NUMBER: 510-0183-0008-00 HAMILTON COUNTY OHIO - 1.484 ACRES

I:\PROJECT\07218183.00\Deliverables\Draft Reports\Version 3\KAUFMAN Septic v3c.dwg Aug 21, 2019 - 2:14pm Layout Name: Sheet5

NOTE:
EACH 68 FOOT LONG TRENCH WILL
CONTAIN 17 CHAMBERS (68'/4' = 17).

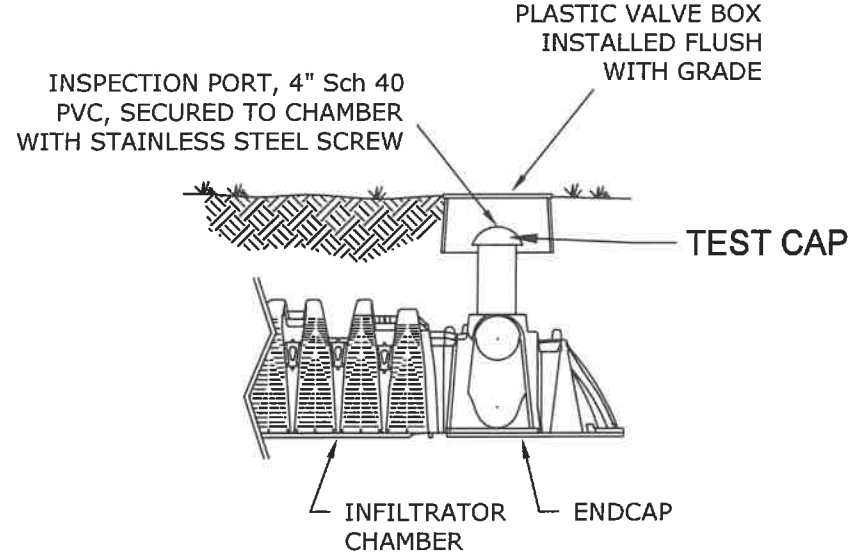


4" Pipe Plug
(Tuf-Tite P-40 or equal)
(For resting of trenches)



INSPECTION PORT WITH VALVE BOX
TYPICAL DETAIL

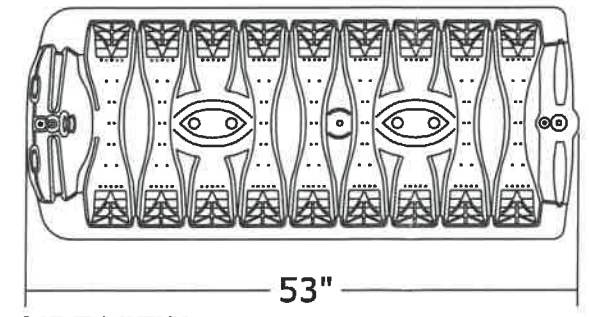
NOT TO SCALE



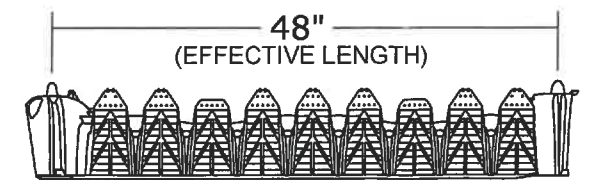
INFILTRATOR SYSTEMS INC. - QUICK4 PLUS EQUALIZER 36
LOW PROFILE CHAMBER - PRODUCT SPECIFICATION

(NOT TO SCALE)

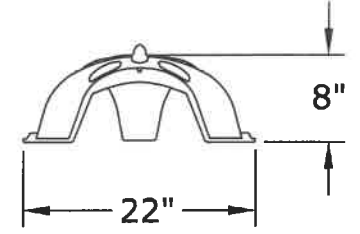
TOP VIEW



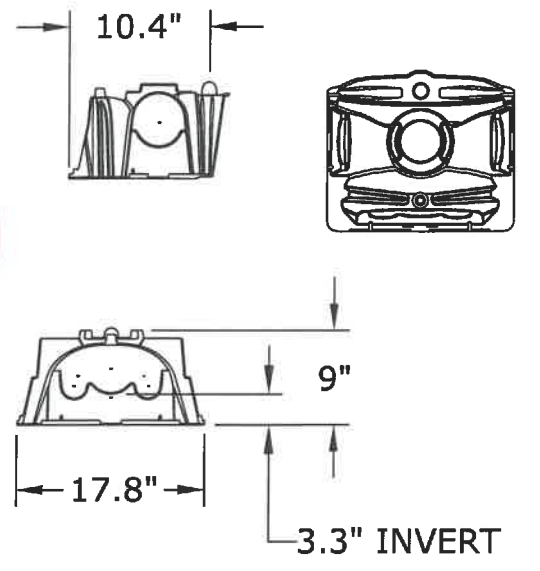
SIDE VIEW



END VIEW



QUICK4 PLUS ALL-IN-ONE END CAP



ALL SECTION NOTATIONS REFERENCE THE HAMILTON COUNTY INSTALLER'S MANUAL

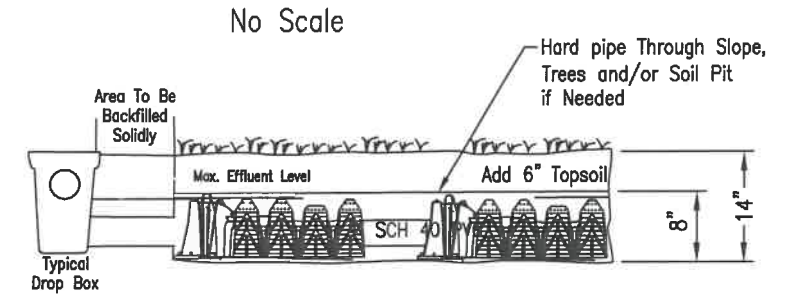
SCS ENGINEERS			
CONSULTING ENGINEERS, INC.			
2060 READING ROAD SUITE 200 CINCINNATI, OHIO 45202			
PH. (513) 421-5353			
PROJ. NO.	CADD FILE:	DATE:	SCALE:
07218183.00	KAUFMAN SEPTIC V1	September 2018	N.T.S.

SHEET 5

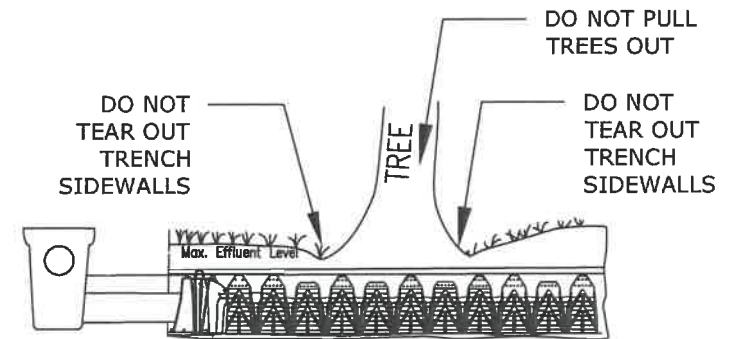
INFILTRATOR CHAMBER DETAILS

10054 PRECHTEL ROAD - KAUFMAN RESIDENCE
PARCEL NUMBER: 510-0183-0008-00
HAMILTON COUNTY OHIO - 1.484 ACRES

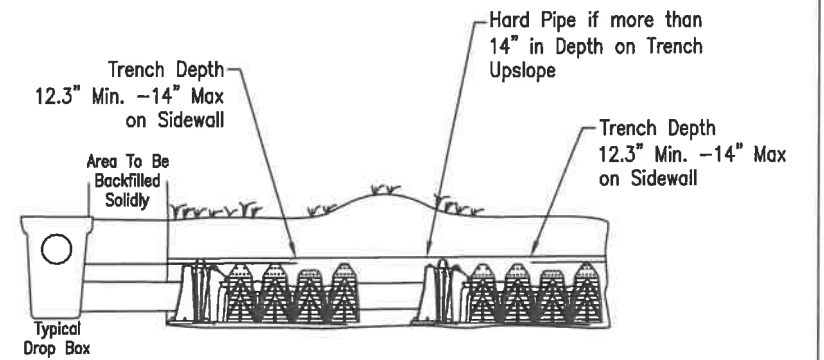
DO THIS



DON'T DO THIS



DO THIS



DO NOT PULL TREE ROOTS OUT. Cut trees at the stump. If roots or stump compromises trench side walls cut roots with saw before removing. Hard pipe through sections if roots are not able to cut. If trench depth exceeds 14" on upslope STOP. Hard pipe through area. Consult SCS Engineers for more information or on-site consultation. If hard piping through an area, the trench must be extended an equal length of the hard pipe and setbacks must still be maintained.



SCS ENGINEERS CONSULTING ENGINEERS, INC. 2060 READING ROAD SUITE 200 CINCINNATI, OHIO 45202 PH. (513) 421-5353			
PROJ. NO. 07218183.00	CADD FILE: KAUFMAN SEPTIC V1	DATE: September 2018	SCALE: N.T.S.

SHEET 6

SLOPE, TREE AND/OR SOIL PIT INSTRUCTIONS

10054 PRECHTEL ROAD - KAUFMAN RESIDENCE
 PARCEL NUMBER: 510-0183-0008-00
 HAMILTON COUNTY OHIO - 1.484 ACRES